

APPENDIX D - PUBLIC REALM URBAN DESIGN GUIDELINES



Contents

1. INTRODUCTION	4
1.1 HOW TO USE THIS DOCUMENT	4
1.2 KEY OBJECTIVES	4
2. PRINCIPLES	6
2.1 OBJECTIVES	6
2.2 TYPOLOGIES	7
2.3 APPLICATION	7
3. PALETTES	8
3.1 LGA WIDE PALETTE	8
3.2 URBAN PALETTE	8
3.3 HINTERLAND PALETTE	9
3.4 COASTAL PALETTE	9
4. LGA WIDE PALETTE	10
DESCRIPTION	10
4.1 AMENITY BLOCK	11
4.2 BARBEQUES	11
4.3 BARRIERS & FENCES & BOLLARDS	12
4.4 BEACH SHOWERS	13
4.5 BIN & BIN ENCLOSURES	13
4.6 BUS SHELTERS	14
4.7 DRINKING FOUNTAINS	15
4.8 FOOTPATHS / PAVEMENTS	15
5. URBAN PALETTE	16
DESCRIPTION	16
5.1 BENCH	17
5.2 BOLLARDS	19
5.3 DRINKING FOUNTAIN	19
5.4 SEATS	20
5.5 SHELTER	21

6. HINTERLAND PALETTE	22
DESCRIPTION	22
6.1 BENCH	23
6.2 BOLLARDS	23
6.3 SEATS	24
6.4 SHELTER	24
6.5 TABLE SETTINGS	25
7. COASTAL PALETTE	26
DESCRIPTION	26
7.1 BENCH	27
7.2 BOLLARDS	27
7.3 PICNIC SETTING	28
7.4 SEATING	28
7.5 SHELTERS	29
8. TECHNICAL NOTES	30
9. STREET TYPOLOGIES	32
9.1 HOW TO USE THIS DOCUMENT	32
9.2 LOCAL STREETS	33
LOCAL STREETS - STREET TREES	34
9.3 PLACES FOR PEOPLE - OPTION 1 & 2	36
PLACES FOR PEOPLE - STREET TREES	39
9.4 MAIN STREETS - OPTION 1 & 2	40
MAIN STREETS - STREET TREES	42
9.5 MAIN ROADS	44
MAIN ROADS - STREET TREES	45
APPENDIX 1 -	
STREET TREES	46
APPENDIX 2 -	
RECOMMENDED FURNITURE & FIXTURES SPECIFICATIONS	60

1. INTRODUCTION

This document is to be used in the absence of a Masterplan, Place Manual or guiding Strategy. For example, if undertaking work in the City Centre, please refer to the City Centre Masterplan 2031 and supporting strategies including the Library Gallery Precinct Analysis.

1.1 HOW TO USE THIS DOCUMENT

This document provides the direction for Coffs Harbour City Council (CHCC) and the development, planning and design of the public realm to ensure a consistent and legible approach to our public spaces.

In order to meet the requirements outlined by CHCC, the Public Realm Urban Design Guidelines has been divided into relevant sections to categorise; existing furniture (fixtures and treatments currently being used within the local government area), palette descriptions for the different typologies; and the proposed street typologies and the correlating street tree list.

A key section within this document is the different palettes for the typologies described within the LGA. This section provides a consolidated approach to inform the design and delivery of the public realm and open spaces within the local government area. Furniture recommended in this section have been assessed as meeting the relevant criteria and requirements for use within the LGA. This section provides a selection of furniture indicative of the proposed 'look and feel' for the nominated typologies within Coffs Harbour.

1.2 KEY OBJECTIVES

As a part of this project, four typologies have been identified and developed guided by the Coffs Harbour City Place Hierarchy. These typologies contribute to the overall character of Coffs Harbour Local Government Area (LGA). The key place typologies utilised in the categorisation of space for the Public Realm Urban Design Guideline palettes are:

- LGA Wide Palette – predominantly existing furniture and fixtures currently used within the LGA;
- Urban Palette - for use within urban areas;
- Hinterland Palette – for rural and hinterland village type areas (generally mostly those West of Solitary Islands Way); and
- Coastal Palette – for coastal and seaside village type areas (generally mostly those East of Solitary Islands Way).



2. PRINCIPLES

2.1 OBJECTIVES

Durability

Durability is a key consideration as the furniture and fixtures must have a long product life and remain safe to use. They must be:

- Robust materials
- Low maintenance/Ease of maintenance
- Appropriate for context and suitable to cater for use and demand

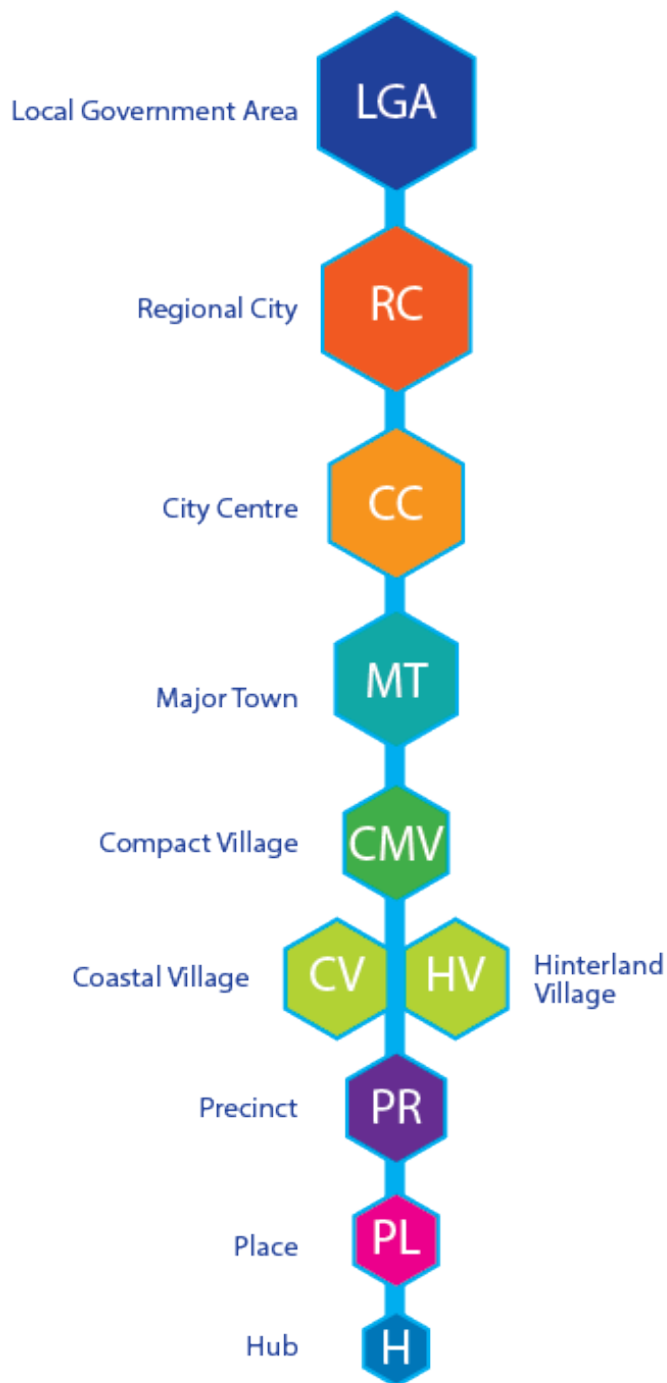
Economy and Asset Management

Whole of life costs have been considered in selecting items with a preference given to those that are low maintenance, easy to maintain, vandal resistant and suited to the climate and location where they are used. Another important consideration in the final selection of furniture and fixtures is economies of scale. Limiting the number of suppliers and different styles of furniture not only ensures a consistent and cohesive palette but also maximises cost effectiveness.

Material and Palette Selection

The furniture documented within each palette has been chosen as it meets performance requirements while being aesthetically pleasing and appropriate to the context of each typology. It is strongly advised that careful consideration and planning take place while undertaking the preferred supplier process to ensure that the finalised furniture palette is consistent, cohesive and positively contributes to the design and development of the Coffs Harbour LGA.

COFFS HARBOUR CITY PLACE HIERARCHY



2.2 TYPOLOGIES

There are four general palettes that have been identified and will be used across the LGA. Each category has its own character and function and will enhance each type's distinctive character and build a clear legible series of spaces with the Coffs Harbour LGA. These categories are:

LG LGA Wide Palette

U Urban Palette

H Hinterland Palette

C Coastal Palette

2.3 APPLICATION

This document is to be used in the absence of a Masterplan, Place Manual or guiding Strategy. For example, if undertaking work in the City Centre, please refer to the City Centre Masterplan 2031 and supporting strategies including the Library Gallery Precinct Analysis.



3. PALETTES

These palettes are to establish and celebrate the different localities and their individual characteristics within our LGA and simultaneously link them together.

3.1 LGA WIDE PALETTE



This palette is for use throughout the LGA. It is considered a primary palette that covers base elements within all public spaces, including but not limited to, bins, barbeques, bus stops, pathways, showers, toilet blocks, etc. to ensure a unified LGA that can be identified as Coffs Harbour. This primary palette ensures consistency across the urban, hinterland and coastal areas or where Masterplans or Place Manual do not apply.

3.2 URBAN PALETTE



This palette is for the urban and more built up areas within the Coffs Harbour LGA that do not have a Masterplan, Place Manual or guiding Strategy. It highlights the more urban characteristics of these localities that often have more people residing in these areas (higher density) and often more built form in closer proximity. These areas are also closer to the City Centre of Coffs Harbour and include the following localities:

- Diggers Beach
- Park Beach
- Jetty
- Coffs Harbour
- West Coffs
- Toormina
- Boambee East



3.3 HINTERLAND PALETTE



This palette incorporates all of the rural settings within our LGA, and includes the majority of the localities west of Solitary Islands Way (not including those listed in the Urban Palette) and is only to be used for areas that does not have a Masterplan, Place Manual or guiding Strategy. This palette exemplifies rural characteristics using predominantly timber materials or timber

look alternatives for maintenance requirements to celebrate the rural, country character of our hinterland communities. These localities include:

- Woolgoolga (West of Solitary Islands Way)
- Emerald Beach (West of Solitary Islands Way)
- Sapphire Beach (West of Solitary Islands Way)
- Korora (West of Solitary Islands Way)
- Moonee Beach (West of Solitary Islands Way)
- Bucca
- Boambee
- North Boambee Valley
- Bonville
- Upper Orara
- Karangí
- Coramba
- Nana Glen
- Timmsvale
- Lowanna
- Ulong
- Brooklana
- Sherwood
- Upper Corindi
- Dirty Creek
- Halfway Creek
- Barcoongere

3.4 COASTAL PALETTE



This palette covers all the coastal villages and hamlets within our LGA, includes the majority of the localities east of Solitary Islands Way (not including those listed in the Urban Palette), and is only to be used for areas that does not have a Masterplan, Place Manual or guiding Strategy. This palette celebrates the coastal characteristics within these areas using materials that are sympathetic to coastal environments, using timber and timber look alternatives for maintenance requirements. These localities include:

- Red Rock
- Corindi Beach
- Arrawarra
- Mullaway
- Safety Beach
- Sandy Beach
- Hearnés Lake
- Sawtell
- Emerald Beach (East of Solitary Islands Way)
- Moonee Beach (East of Solitary Islands Way)
- Sapphire Beach (East of Solitary Islands Way)
- Korora (East Solitary Islands Way)
- Woolgoolga (East of Solitary Islands Way)

Please note: these palettes are to describe the look and feel and materiality of furniture, finishes and fixtures that we want for each locality. The following selected examples have been selected to provide indicative examples of this as Council will be going through a formal procurement process for companies to tender.

4. LGA WIDE PALETTE LG

DESCRIPTION

This palette includes furniture, fixture and fittings already in use throughout the LGA, and provides consistency that helps unify the LGA.

The overarching principles that apply to this palette are:

- It is the default palette to be utilised throughout the entire LGA;
- Street furniture and materials within this palette are robust and low maintenance.
- The purpose of the palette is to provide a suite of options that are proven durable and robust within the Coffs Harbour LGA.

This palette is to be used throughout the entire LGA and standardises base elements of the public realm such as footpaths, bins, bus stops and etc.

APPLICATION

The Standard Palette is for use through out the entire Coffs Harbour Local Government Area. It is to be considered as the primary palette for areas that due to the type of space and frequency of use require limited maintenance.



4.1 AMENITY BLOCK



1. Amenity Block - Pura Blue

Description Custom design by CHCC with Pura Blue. Prefab Concrete Walls (all ambulant) including one accessible cubicle, custom screen vertical timber slats only. For Coastal and Urban areas

4. Amenity Block - Pura Blue

Description Custom design by CHCC with Pura Blue. Prefab Concrete Walls (all ambulant) including one accessible cubicle, custom screen vertical timber slats only. For Hinterland areas.

4.2 BARBEQUES



2. Greenplate Electric Barbeque – Matilda Double Stand Alone Unit

Description Greenplate PTY LTD
<https://greenplate.com.au/product/matilda-double-stand-alone-unit/>

3. Equal Access Double Barbeque Bench - Wheelchair Accessible

Description Greenplate PTY LTD
<https://greenplate.com.au/product/equal-access-double-barbecue-bench-wheelchair-accessible/>

4.3 BARRIERS & FENCES & BOLLARDS

The preference is to utilise vegetation (low planting such as Lomandra and Street Trees – see Street Tree list) or street furniture where a ‘barrier’ or ‘fence’ is required. In instances where a formal barrier / fence is critical then utilise bollards (using the appropriate bollard according to the area/locality e.g. Hinterland, Coastal or Urban) with suitable planting to soften the appearance.

- Bollard Urban Palette
- Bollard Hinterland Palette
- Bollard Coastal Palette
- Bollard LGA Wide (low maintenance areas)



5

5. Bollards

Description Please refer to each palette for details: Urban (1st and 2nd images), Hinterland (3rd image) and Coastal (4th image) bollard.

The 5th image is LGA wide to be used in low maintenance areas. From Advanced Plastic Recycling with a chamfered top

4.4 BEACH SHOWERS



6



7

6. Beach Shower - CHCC Custom Design with Reider Engineering

Description Stainless Steel - enware internal plumbing

7. Beach Shower - CHCC Custom Design with Reider Engineering

Description Stainless Steel - enware internal plumbing

4.5 BIN & BIN ENCLOSURES



8



9

8. 240L Security Bin Stand Double Bin - SULO

Description *Frame:* Hot Dipped Galvanised Steel with solid steel locking plate and lid restrictor

9. 240L Bin Surround - Single Bin - Grillex

Description *Panels:* Powder Coated Aluminium with custom laser cut design

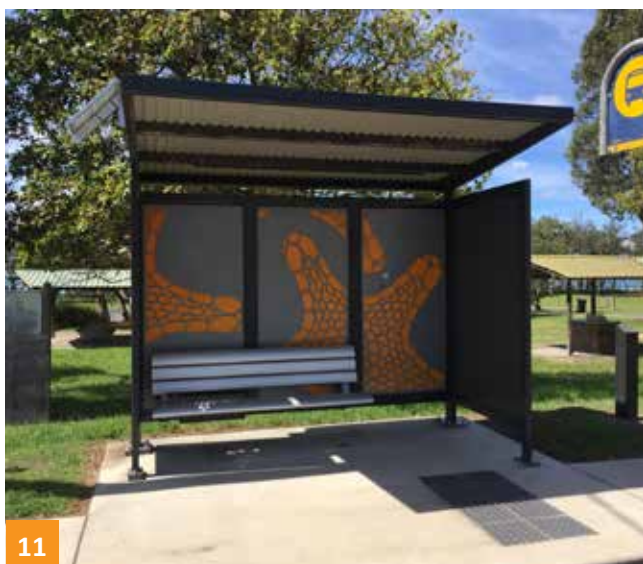
4.6 BUS SHELTERS



10



12



11



13

10. Coffs Harbour Bubbles - custom design by CHCC

Description *Frame:* Hot Dip Galvanised Steel (DuraGal) Colour Monument *Panels:* Laser Cut Aluminium *Roof:* Colourbond *Seat:* Anodised aluminium

11. Northern Suburbs Starfish - custom design by CHCC

Description *Frame:* Hot Dip Galvanised Steel (DuraGal) Colour Monument *Panels:* Laser Cut Aluminium *Roof:* Colourbond *Seat:* Anodised Aluminium

12. Sawtell Flathead - custom design by CHCC

Description *Frame:* Hot Dip Galvanised Steel (DuraGal) Colour Monument *Panels:* Laser Cut Aluminium *Roof:* Colourbond *Seat:* Anodised Aluminium

13. Woolgoolga Shells - custom design by CHCC

Description *Frame:* Hot Dip Galvanised Steel (DuraGal) Colour Monument *Panels:* Laser Cut Aluminium *Roof:* Colourbond *Seat:* Anodised Aluminium

4.7 DRINKING FOUNTAINS



14. Accessible Water Station - custom design with CHCC and Rieder Engineering

Description Stainless Steel with Enware internal plumbing

4.8 FOOTPATHS / PAVEMENTS



15. Footpath Pavement

Description Minimum 1.5 metre plain grey broom finished concrete



16. Sensitive Areas - Site Restrictions

Description *Frame:* Fibre Reinforced Plastic (FRP) framing with Envirodeck 38x38 grating

5. URBAN PALETTE

U

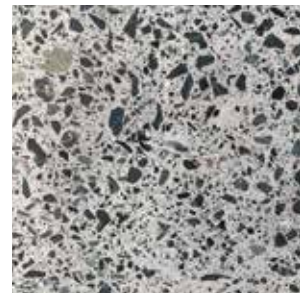
DESCRIPTION

This palette is for the urban and more built up areas within the Coffs Harbour LGA that do not have a Masterplan, Place Manual or guiding Strategy. This palette focuses on a more prescribed urban and contemporary style, as it highlights the urban characteristics of these localities. As it often has more people residing in these areas, (higher density) it must accommodate for more usage utilising robust materials such as concrete, stainless steel and timber.

The overarching principles that apply to this palette are:

- It is to be used within the defined urban areas;
- Street furniture and materials within this palette are robust;
- The purpose of the palette is to provide a suite of options that provide a unified style and link to the other corresponding palettes; and
- The primary materials to be used in this palette are stainless steel, concrete, timber and exposed aggregate.

MATERIALS PALETTE



5.1 BENCH



17



19



18



20

17. Flinders - Timber Backless Bench - Street and Garden

Description *Frame:* Stainless Steel *Slats:* Hardwood *Timber Bench:* Concrete
<https://streetandgarden.com/product-type/all/suites/flinders/>

18. Concrete Bench - Commercial Systems Australia

Description Charcoal concrete bluestone style Finishes: Blasted/Honed
<https://www.commercialsystems.com.au/product/concrete-bench-2/>

19. Diamante Concrete Bench - Botton and Gardiner

Description *Frame:* Stainless Steel *Bench:* Concrete
[http://www.bottonandgardiner.com.au/urban/collections/metalco-collection/diamante-modular-seating-\(1\) /](http://www.bottonandgardiner.com.au/urban/collections/metalco-collection/diamante-modular-seating-(1)/)

20. Giada Bench - Botton and Gardiner

Description *Frame:* Granite or Concrete (free standing) *Battens:* Timber
<http://www.bottonandgardiner.com.au/urban/seating/seats-benches/giada-bench>



21. Cantilever Bench - Commercial Systems
Australia

Description *Frame:* Stainless Steel satin polished *Battens:* Timber (Enviroslat Woodgrain option)
www.commercialsystems.com.au/product/cantilever-bench-2/

22. Harris Bench - Botton and Gardiner

Description *Frame/Legs:* Steel *Battens:* Australian Hardwood Timber
<http://www.bottonandgardiner.com.au/urban/seating/seats-benches/harris-bench>

23. Hobart Bench Seat - Draffin

Description *Frame:* Galvanised Steel *Batten:* Enviroslat Walnut - optional armrests
<https://draffin.com.au/product/hobart-weathering-steel-bench-seat/>

5.2 BOLLARDS



24



25

24. Sit Bollard - Street and Garden

Description *Frame:* Stainless Steel - satin polished
<https://streetandgarden.com/product/sit-bollard/>

25. Plains Bollard - Commercial Systems Australia

Description *Frame:* Stainless Steel - satin polished
<https://www.commercialsystems.com.au/product/plains-bollard/>

5.3 DRINKING FOUNTAIN



26

26. Flight Drinking Fountain - Street and Garden

Description Stainless Steel
<https://streetandgarden.com/product/flight-drinking-fountain/>

5.4 SEATS



27



29



28



30

27. Aria Seat - Street Furniture Australia

Description *Batten:* Woodgrain Beach Oak *Frame:* Woodland grey *Legs:* Pedestal
<https://streetfurniture.com/product/aria-seat/>

28. Cantilever Seat - Commercial Systems Australia

Description *Frame:* Stainless Steel satin polished *Battens:* Timber (Enviroslat Woodgrain option)
<https://www.commercialsystems.com.au/product/cantilever-seat/>

29. Flinders - Timber Backed Bench - Street and Garden

Description *Frame:* Stainless Steel *Slats:* Hardwood Timber *Bench:* Concrete - armrest optional
<https://streetandgarden.com/product-type/all/suites/flinders/>

30. Hobart Seat with Back - Draffin

Description *Frame:* Galvanised steel *Batten:* Enviroslat Walnut (armrest optional)
<https://draffin.com.au/product/hobart-seat-with-back/>

5.5 SHELTER



31. Drape Shelter - Street and Garden

Description *Frame:* Hot dipped Galvanised Steel/anodised aluminium
<https://streetandgarden.com/product-type/all/suites/flinders/>

32. Kubos Shelter - Commercial Systems Australia

Description **DDA Frame:** Galvanised Steel Woodland Grey
Battens: Timber (Enviroslat woodgrain options)
Roof: Colourbond corrugated sheet
<https://www.commercialsystems.com.au/product/kubos-shelter/>

6. HINTERLAND PALETTE H

DESCRIPTION

This palette is for the rural and country settings within the Coffs Harbour LGA, and includes the majority of the localities west of Solitary Islands Way (not including those listed in the Urban Palette) and is only to be used for areas that do not have a Masterplan, Place Manual or guiding Strategy. This palette exemplifies the rural, natural surrounds by predominantly using timber materials and corton steel to establish a rustic setting and celebrate the rural, country character of our hinterland communities. The furniture chosen is bold and dominant to resonate the tall fierce forests that surround our LGA. Timber look alternatives are also an option for maintenance requirements.

The overarching principles that apply to this palette are it is to be used within the defined hinterland areas;

- Street furniture and materials within this palette are robust with timber look options for maintenance requirements;
- The purpose of the palette is to provide a suite of options that provide a unified style and link to the other corresponding palettes; and
- The primary materials to be used in this palette are corton steel, timber, galvanised steel and corrugated iron.

MATERIALS PALETTE



6.1 BENCH



33. Hobart Bench - Draffin

Description *Frame:* Corten Steel *Batten:* Environslat Walnut - optional armrests
<https://draffin.com.au/product/hobart-weathering-steel-bench-seat/>

34. Recycled Timber Bench - Commercial Systems Australia

Description *Legs/Frame:* Galvansised Steel *Batten:* Australian Hardwood Timber - recycled from powerlines/buildings/railway sleepers
<https://www.commercialsystems.com.au/product/recycled-timber-bench/>

6.2 BOLLARDS



35. Wharf Bollard - Commercial Systems Australia

Description *Frame:* Stainless Steel *Batten:* Australian Hardwood Timber
<https://www.commercialsystems.com.au/product/wharf-bollard/>

6.3 SEATS



36



37

36. Aria Seat - Street Furniture Australia



Description *Batten:* Woodgrain Bush Cherry *Frame:* Woodland grey *Legs:* Pedestal
<https://streetfurniture.com/product/aria-seat/>

37. Hobart Seat with Back - Draffin

Description *Frame:* Corton steel *Batten:* Enviroslat Walnut (armrest optional)
<https://draffin.com.au/product/hobart-seat-with-back/>

6.4 SHELTER



38

38. Longreach Shelter - Landmark

Description *Posts and Frame:* Australian Hardwood Timber *Roof:* Colourbond Surfemist
<https://www.landmarkpro.com.au/product/longreach/>

6.5 TABLE SETTINGS



39. Hobart Table Setting - Draffin



Description *Frame:* Corton steel *Batten:* Enviroslat Walnut
<https://draffin.com.au/product/hobart-table-setting-2/>

40. Solid Timber Setting (to replace existing)

Description Australian Hardwood Timber
<https://www.commercialsystems.com.au/product/solid-timber-setting/>

7. COASTAL PALETTE C

DESCRIPTION

This palette is all the coastal villages and hamlets within our LGA, includes the majority of the localities east of Solitary Islands Way (not including those listed in the Urban Palette), and is only to be used for areas that does not have a Masterplan, Place Manual or guiding Strategy. This palette celebrates the coastal characteristics within these areas using materials that are sympathetic to coastal environments; timber and timber look alternatives for maintenance requirements, whilst incorporating lightweight simplistic designs to sit seamlessly into the surrounding coastal vistas and not dominate the landscape. The overarching principles that apply to this palette are:

- It is to be used within the defined coastal areas;
- Street furniture and materials within this palette are robust lightweight design look and feel and are suited to withstand coastal conditions;
- The purpose of the palette is to provide a suite of options that provide a unified style and link to the other corresponding palettes; and
- The primary materials to be used in this palette is powder coated aluminium/stainless steel, concrete, timber and exposed aggregate.

MATERIALS PALETTE



7.1 BENCH



41. Sarah Bench - Botton and Gardiner

Description Granite Freestanding - lead time 12-14 weeks
<http://www.bottonandgardiner.com.au/urban/seating/seats-benches/sarah-bench>

42. Versa Bench - Street and Garden

Description Street and Garden
<https://streetandgarden.com/product-type/all/suites/versa/>

7.2 BOLLARDS



43. Urbania Bollard - Commercial Systems Australia

Description *Frame:* Stainless Steel *Battens:* Australian Hardwood Timber Quantum Gold Oil (Enviroslat Woodgrain options)
<https://www.commercialsystems.com.au/product/urbania-bollard/>

7.3 PICNIC SETTING



44. Versa Table - Street and Garden

Description *Frame:* Powder coated aluminium *Frame:* Australian Hardwood Timber or Enviroslat option
<https://streetandgarden.com/product-type/all/suites/versa/>

45. DDA Setting - Commercial Systems Australia

Description *Frame:* Stainless Steel/Powdercoated Aluminium (Dulux: Apo Grey Satin) *Battens:* Australian Hardwood Timber or Enviroslat option
<https://www.commercialsystems.com.au/product/dda-setting/>

7.4 SEATING



46. Aria Seat - Street Furniture Australia

Description *Batten:* Woodgrain Spotted Gum *Frame:* Woodland grey *Legs:* Pedestal
<https://streetfurniture.com/product/aria-seat/>

47. Versa Backed Bench - Street and Garden

Description *Frame:* Powder coated aluminium *Frame:* Australian Hardwood Timber or Enviroslat option
Arm rest option
<https://streetandgarden.com/product-type/all/suites/versa/>

7.5 SHELTERS



48. Longreach Shelter - Landmark

Description *Posts and Frame:* Australian Hardwood Timber
Roof: Colourbond Surfmist
<https://www.landmarkpro.com.au/product/longreach/>

8. TECHNICAL NOTES

RECOMMENDED FURNITURE & FIXTURES SPECIFICATION

All materials used must meet the following minimum requirements. Equivalent products must be approved by council prior to commencement of works.

- **Stainless Steel:**
 - Mill Finish
 - Welds to use 315SS wire and include pickling
 - All visible welds flush
 - All sharp corners radius minimum 2 millimetres
- **Aluminium Grade 5005-H34 Anodised or Powdercoated:**
 - Poder coating Duratec or equivalent
- **Timber Australian timber DAR Hardwood F17 Class 1 in ground - no heartwood or wane:**
 - No in-ground timber
 - Timber treatment: Intergrain natural stain/claer or approved equivalent
 - All top penetrations to be sealed with a timber plug
 - All sharp corners radius minimum 5 millimetres
- **Plumbing fixtures:**
 - As required by CHCC water
 - Enware fixtures and fittings or approved equivalent
 - Poly pipe *no copper*
 - 316SS Mill finish
- **Concrete:**
 - 40MPa
 - 150mm depth
 - SL72 Reinforcing mesh
 - Finish to meet AS1428 slip resistance requirements
- **HDG:**
 - AS/NZS 2312 system: HDG600-P7
 - Surface preparation AS/NZS 1627.4
 - Sweep abrasive blast (whip blasting)
 - 1st coat - Product Wattyl Epinamel PR250 75um
 - 2nd coad - Product Wattyl Poly Y750 100um
 - Total dry film thickness 175um
- **Steelwork corosion resistant treatment: pre-galvansied steel members:**
 - All weld junctions treated with cold galvanised paint or approved product
 - Whip blasted
 - Visible steel work coated with weathermax HPR
- **Decking/Boardwalks:**
 - All in ground piers, framing: Fibre Reinforced Plastic (FRP)
 - Decking Fibreglass (FRP) grating: Envirowalk micromesh or approved equivalent
 - Handrails (if required) compliant with AS2156: walking tracks and AS1428
- **Wood Fibre Composite/recycled plastic:**
 - Provide strength and durability specifications for approval
- **Skate Deterrant:**
 - 316SS Safety express - SBD120 (or approved equivalent)
- **Fixings:**
 - 316SS
 - Nylok nuts



9. STREET TYPOLOGIES

This document is to be used in the absence of a Masterplan, Place Manual or guiding Strategy. For example, if undertaking work in the City Centre, please refer to the City Centre Masterplan 2031 and supporting strategies including the Library Gallery Precinct Analysis.

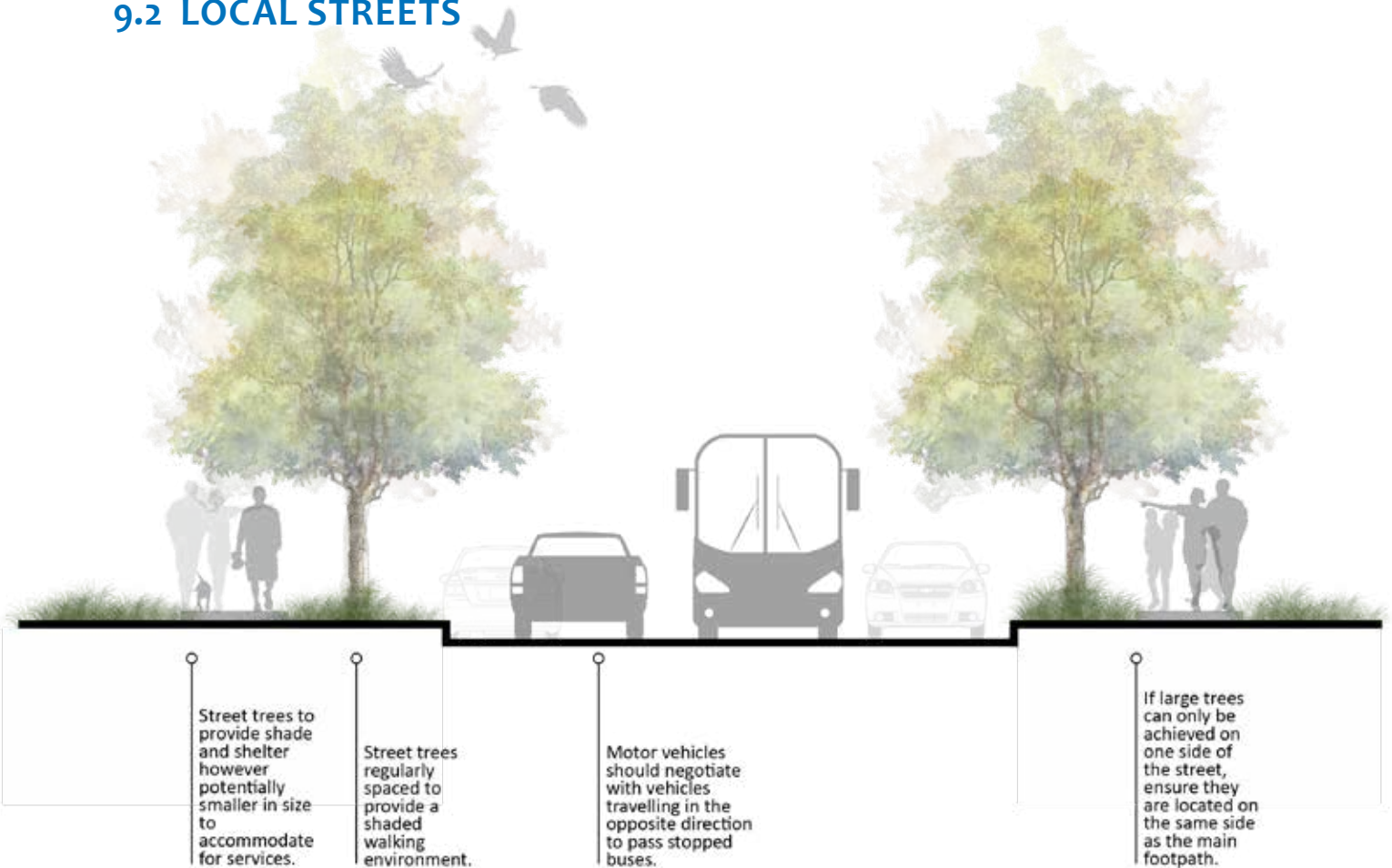
9.1 HOW TO USE THIS DOCUMENT

The following street typologies provide a design guide in the absence of an adopted transport strategy. The street typologies are based on the Movement and Place Framework being collaboratively developed by the Government Architect NSW and Transport for NSW.

This framework will replace the previous road hierarchy approach but in essence will not be significantly different in many respects. The key difference is recognizing that our streets also provide a 'place' function in addition to 'movement'. This framework provides a cohesive approach to balancing the movement of people and goods with the amenity and quality of places, contributing to the attractiveness, sustainability and success of our cities and towns.

Movement and Place considers the whole street including footpaths, from property line to property line. It takes into account the needs of all users of this space including pedestrians, cyclists, deliveries, private vehicles and public transport, as well as people spending time in those places.

9.2 LOCAL STREETS



Local Streets are where we live. They are mainly residential but they can include other uses such as corner shops, schools, community halls and parks. Local Streets may have private cars present at low speed, but they are a key part of our open space network and vital to our social human connection. It is essential that people of all ages feel safe and welcome walking in our local streets.

The key design principles:

- Provide a safe and inviting amenity for residents including children and the elderly.
- Design for a safe and welcoming pedestrian environment as well as safe gathering and meeting places.
- Plant street trees in all streets using consistent large species to provide an inviting walking environment.
- Generally, cyclists can mix with traffic due to slow speed environment of local streets. Selected local streets will form part of a strategic cycle network or key routes to local primary schools.
- Not all local streets will need to cater for buses however select local streets will need to have adequate pavement width to cater for bus routes as well as adequate verge width for bus stops.
- Motor vehicles must take a role secondary to walking, cycling and buses.

- Driveways / access to properties should be designed to maintain pedestrian comfort, safety and security.
- Barrier kerbs are to be used in preference to rolled kerb to discourage parking on the footpath or verge as well as improve pedestrian safety and comfort.
- The need for narrower carriageway widths in quieter streets may impact on street parking and vehicles may need to yield to another to pass when cars are parked in the street.
- Our desirable Local Streets speed environment is 20 km/h to 30 km/h generally with no centreline marking.



Figure 1. An example of a Local Street

LOCAL STREETS - STREET TREES



	Species	Common Name
1	<i>ACMENA smithii</i>	Lilly Pilly
2	<i>BACKHOUSIA citrodora</i>	Lemon Scented Myrtle
3	<i>BANKSIA integrifolia</i>	Coastal Banksia
4	<i>CALLISTEMON viminalis</i>	Weeping Bottlebrush
5	<i>CORYMBIA ficifolia</i> cultivars	Flowering Gums
6	<i>CUPANIOPSIS</i> <i>anacardioides</i>	Tuckeroo
7	<i>ELAEOCARPUS eumundii</i>	Quandong
8	<i>ELAEOCARPUS reticulatis</i>	Blueberry Ash
9	<i>EUCALYPTUS curtisii</i>	Plunkett Mallee
10	<i>HARPULLIA pendula</i>	Tulipwood
11	<i>LAGERSTROEMIA indica</i>	Crepe Myrtle
12	<i>MAGNOLIA grandiflora</i>	Magnolia
13	<i>MELALEUCA leucadendra</i>	Weeping Paperbark
14	<i>MELALEUCA</i> <i>quinquenervia</i>	Broad-leaved Paperbark
15	<i>PYRUS calleryana</i>	Ornamental Pear
16	<i>SYZYGIUM australe</i>	Lilly Pilly Brush Cherry
17	<i>TRISTANIOPSIS laurina</i>	Water gum
18	<i>WATERHOUSEA</i> <i>floribunda</i>	Weeping lilly pilly



Figure 2. An example of a Local Street



Figure 3. An example of a Local Street

9.3 PLACES FOR PEOPLE - OPTION 1 & 2

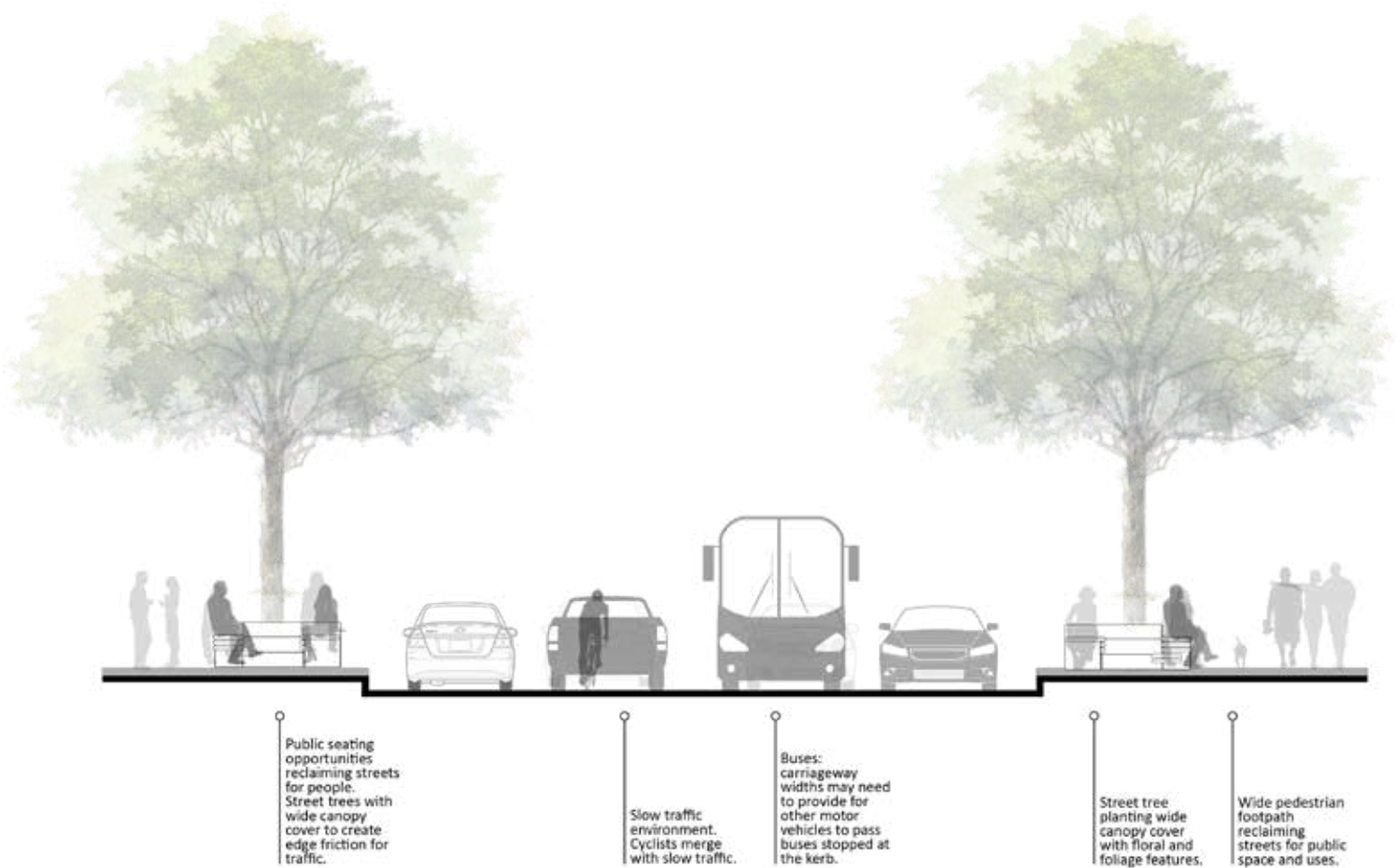


Figure 5. Places for People Option 1

Places for People are streets where gathering, recreation, and exchange (shopping) are considered more important than private vehicular traffic. These typically include 'main streets', for example First Avenue between Second Avenue and Boronia Street.



Figure 4. An example of Places for People

Please note that Places for People is the street typology referred to Transport for NSW as Civic Spaces.

Places for People are streets at the heart of our communities. They include retail, employment, leisure, and related activities. These streets are for people-oriented activities such as footpath dining, shopping and gathering. They are the social and employment centres of our villages and towns. Their design is socially and economically vital to the long term success of Coffs Harbour.

- Adequate pedestrian space is a necessity to provide for both comfortable walking and activities such as alfresco dining and social gathering.
- Dedicated cycle paths may not be necessary but it is important that traffic speeds are such (<40km/h) that cyclists of all abilities feel safe and comfortable riding.

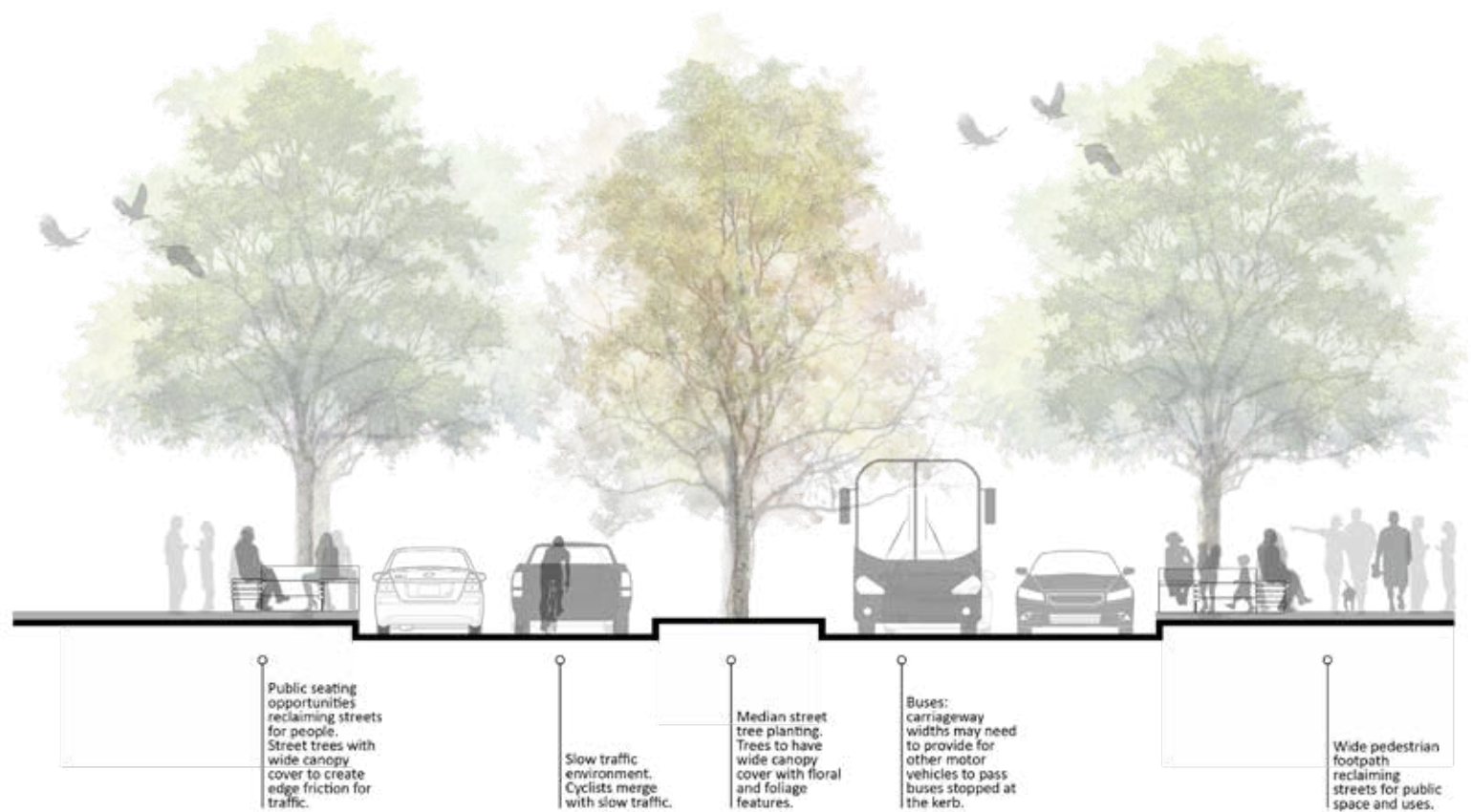


Figure 6. Places for People Option 2

- Cater for the safe movement of buses and comfortable stops are important to promote public transport.
- Provide adequate Loading Zones to enable servicing of commercial properties.
- There should be adequate shade and a generous supply of natural green vegetation to promote walking and staying in the precinct.
- Slow speed traffic environment (<40km/h) is a necessity –side friction such as lane narrowing and large street trees is the preferred mechanism
- Driveways should be limited along these streets as it impacts on pedestrian movement, ‘people space’, and building frontages. Access is preferably from side streets and laneways, sharing accesses between properties, or managing kerbside loading.
- Parking should be parallel.
- Parking should not be oversupplied to the detriment of street amenity. Controlled parking supply can help increase active transport and public transport usage.
- Roundabouts make it difficult and unsafe to walk across intersections and are a significant economic detriment to Civic Spaces. If they cannot be avoided they should be of a contemporary design that allows direct pedestrian priority crossing.



Figure 7. An example of Places for People



Figure 8. An example of Places for People



Figure 9. An example of Places for People

PLACES FOR PEOPLE - STREET TREES



	Species	Common Name
1	<i>ALLOXYLON flammeum</i>	Tree warratah
2	<i>BUCKINGHAMIA celsissima</i>	Ivory curl Tree
3	<i>BRACHYCHITON acerifolius</i>	Illawarra Flame tree
4	<i>CERATOPETALUM gummiferum</i>	Christmas Bush
5	<i>DELONIX regia</i>	Poinciana
6	<i>ELAEOCARPUS reticulatis</i>	Blueberry Ash
7	<i>ELAEOCARPUS obovatus</i>	Hard Quandong

	Species	Common Name
8	<i>FICUS microcarpa hillii</i>	Hills Weeping Fig
9	<i>FICUS obliqua</i>	Small Leafed Fig
10	<i>JACARANDA mimosaeifolia</i>	Jacaranda
11	<i>PODOCARPUS elatus</i>	Illawarra Plum
12	<i>STENOCARPUS sinuatus</i>	Firewheel Tree
13	<i>XANTHOSTEMON chrysanthus</i>	Golden Penda

9.4 MAIN STREETS - OPTION 1 & 2

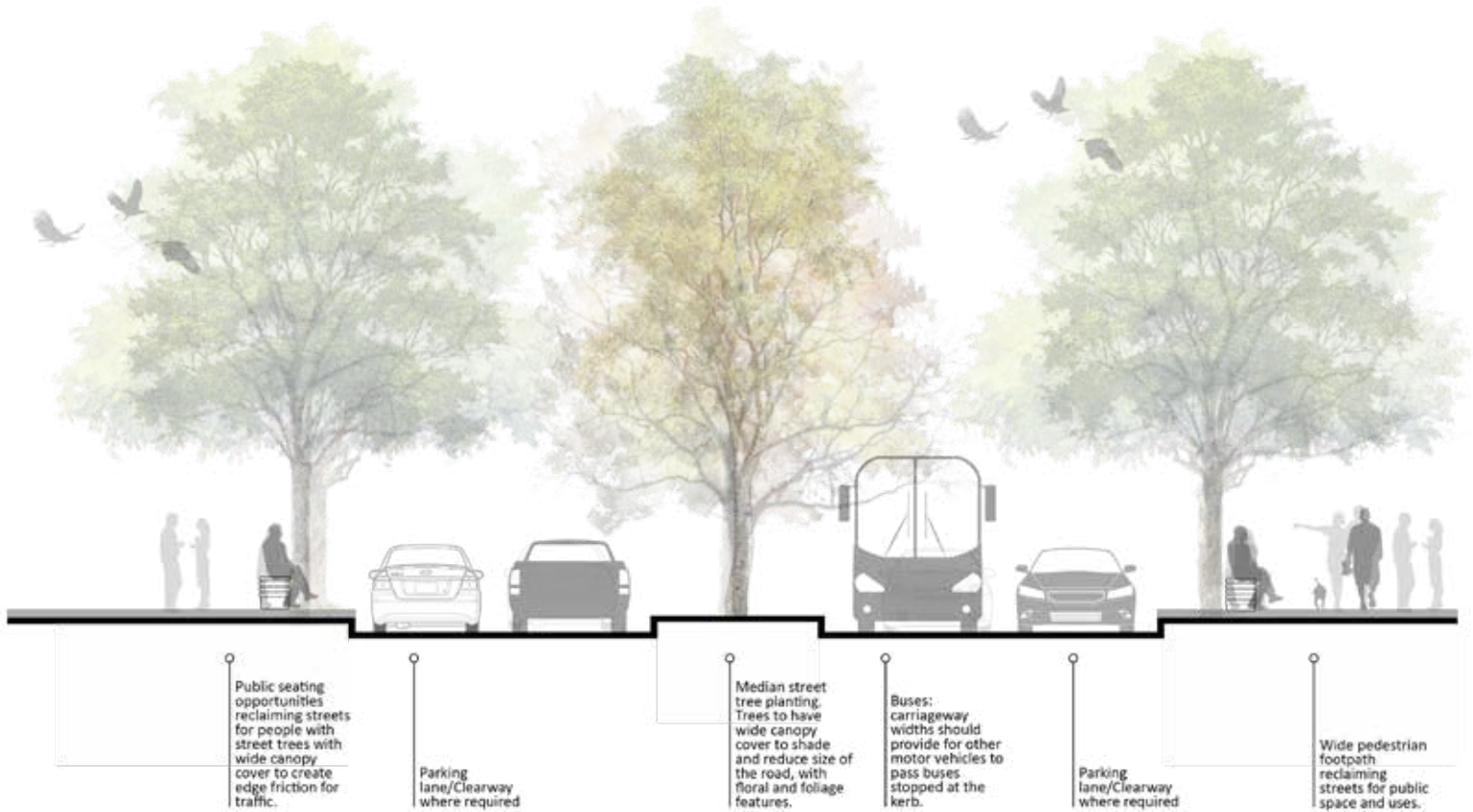


Figure 10. Main Streets - Option 11

Main Streets have both significant movement functions and place qualities - they are streets that have a lot of people/ pedestrian activity and a significant requirement for vehicular traffic flow or freight movement. An example of ‘Vibrant Streets’ is Harbour Drive between Earl Street and Hogbin Drive.



Figure 11. An example of Main Streets

- Adequate pedestrian and public space is a necessity for both comfortable walking and kerbside functions.
- Plant street trees in all streets using consistent large species to provide an inviting walking environment.
- If the street forms part of a strategic cycle network, then physically separated cycle path should be provided – these may be either on-street or off-street.
- Safe and convenient crossings for pedestrians and cyclists should be provided at key intersections.

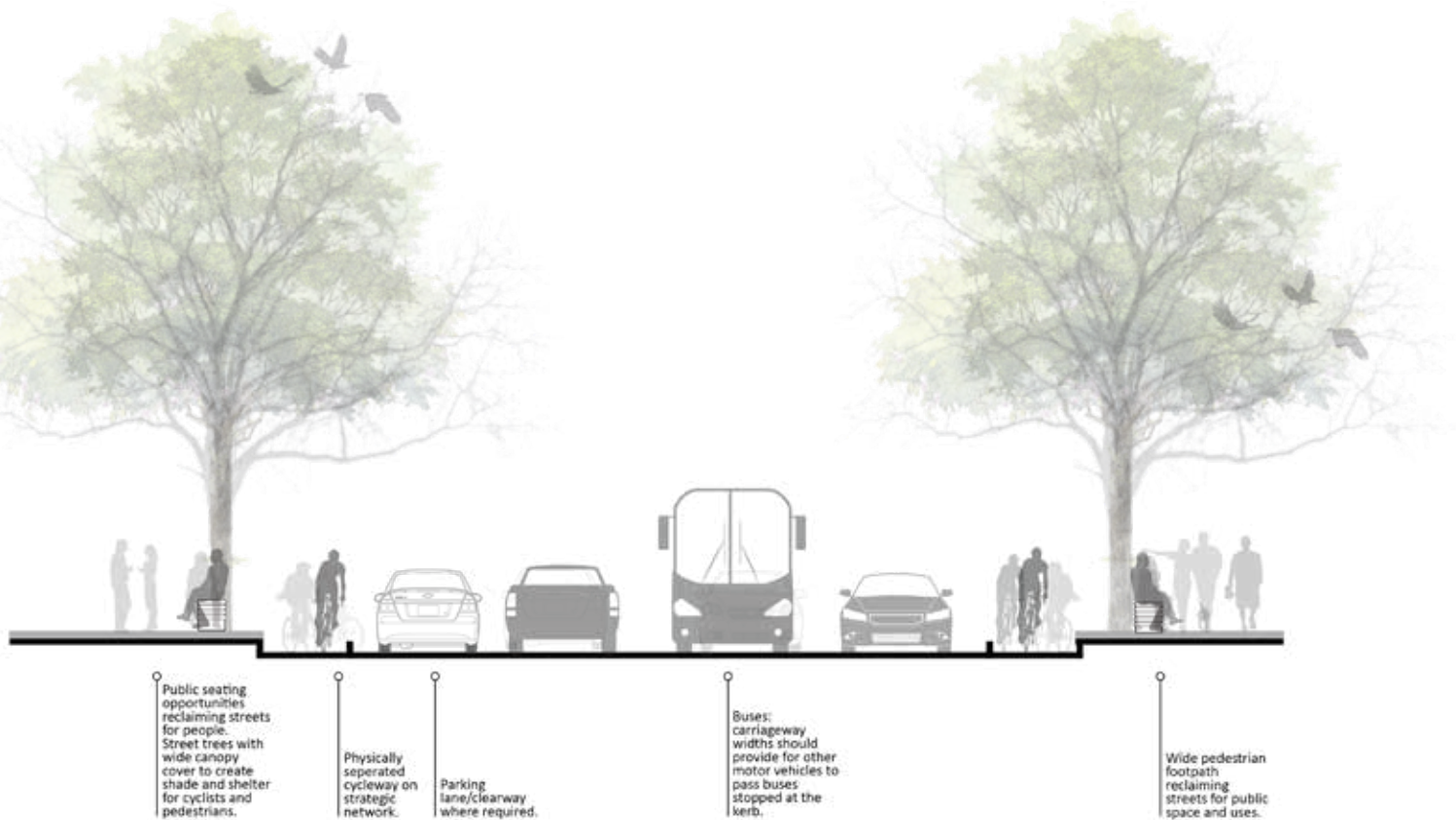


Figure 12. Main Streets Option 2

- Public transport needs to be catered in a highly visible manner including key stops. Long term will need to consider bus priority at key intersections.
- Driveways should be managed to reduce impacts on pedestrian movement, 'people space', and safe and efficient movement. Access is preferably from side streets and laneways, sharing accesses between properties, or managing kerbside loading.
- Provide adequate Loading Zones to enable servicing of commercial properties. This can be managed by time as well as space to maximise the useability of the street.
- Parking should not be oversupplied to the detriment of street amenity



Figure 13. An example of Main Streets

MAIN STREETS - STREET TREES



1



2



3



4



5



6



7



8



9



10



11

	Species	Common Name
1	<i>AGATHIS robusta</i>	Queensland Kauri Pine
2	<i>ANGOPHORA costata</i>	Smooth Barked Apple
3	<i>CORYMBIA maculata</i>	Spotted Gum
4	<i>EUCALYPTUS haemastoma</i>	Scribbly gum
5	<i>EUCALYPTUS saligna</i>	Sydney Blue Gum
6	<i>FLINDERSIA australis</i>	Crows Ash

	Species	Common Name
7	<i>FLINDERSIA schottiana</i>	Cudgerie
8	<i>GREVILLEA baileyana</i>	White Oak
9	<i>GUIOA semiglauc</i>	Native quince
10	<i>MELALEUCA leucadendra</i>	Weeping Paperbark
11	<i>ZELCOVA serrata</i>	Japanese Elm

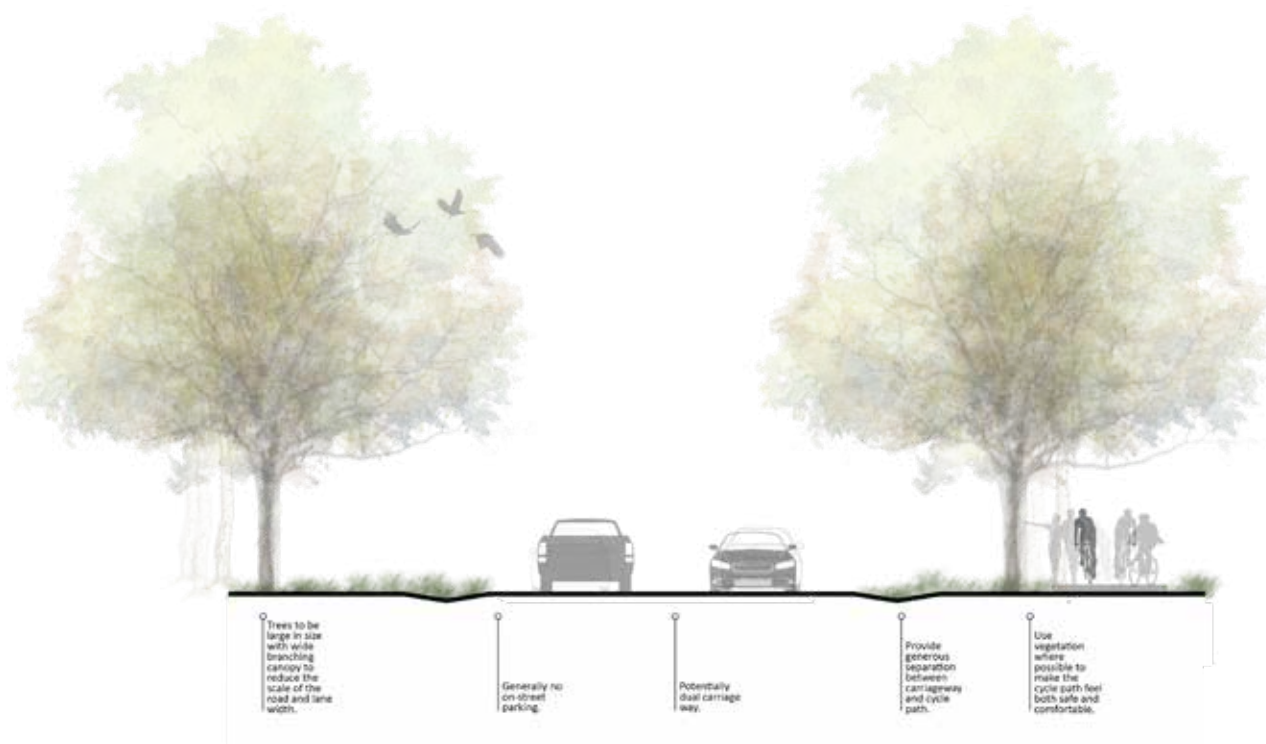


Figure 14. An example of Main Streets



Figure 15. An example of Main Streets

9.5 MAIN ROADS



Main Roads are primarily for the movement of people and goods with little interaction with adjacent land use. They may be an important route for freight, public transport, private vehicles or cyclists. Place activity levels are less intense, however, these roads and routes can have significant meaning to local people. An example is Hogbin Drive between Albany Street and Sawtell Road.

Main Roads provide for safe, efficient and reliable through movement of people and goods between and within regional centres and urban areas. They may be an important route for freight, public transport, private vehicles or cyclists. Main Roads generally have a strategic significance in within the local and regional movement network.

- Public transport should be serviced with indented bus bays on major stops as well as quality safe and comfortable stops.
- If the Main Road forms part of a strategic cycle network, then a physically separated cycle path should be provided. On-street cycle paths are generally not considered acceptable.
- Safe crossings for pedestrians and cyclists are a priority where strategic pedestrian/cycle network routes intersect a Main Road.
- Street trees should be safely distanced from the road edge in higher speed areas. Use large trees to reduce scale of road.
- Limit access to adjacent properties except where there is a high or strategic demand for access. Safety is a priority in the design of any access.
- On-street parking should generally not be provided.



Figure 16. An example of a Main Roads



Figure 17. An example of a Main Roads

MAIN ROADS - STREET TREES






	Species	Common Name
1	<i>AGATHIS robusta</i>	Queensland Kauri Pine
2	<i>ANGOPHORA costata</i>	Smooth Barked Apple
3	<i>ARAUCARIA heterophylla</i>	Norfolk Pine
4	<i>ARAUCARIA cunninghamii</i>	Hoop Pine
5	<i>CORYMBIA maculata</i>	Spotted Gum
6	<i>EUCALYPTUS haemastoma</i>	Scribbly gum
7	<i>EUCALYPTUS saligna</i>	Sydney Blue Gum
8	<i>FICUS microcarpa hillii</i>	Hills Weeping Fig

	Species	Common Name
9	<i>FICUS obliqua</i>	Small Leafed Fig
10	<i>FLINDERSIA australis</i>	Crows Ash
11	<i>LOPHOSTEMON confertus</i>	Brush Box
12	<i>MELALEUCA leucadendra</i>	Weeping Paperbark
13	<i>MELALEUCA quinquenervia</i>	Broad-leaved Paperbark
14	<i>SYNCARPIA glomulifera</i>	Turpentine Tree
15	<i>ZELCOVA serrata</i>	Japanese Elm

APPENDIX 1 - STREET TREES

Local Streets

Fabric of the suburban neighbourhood where we live our lives and facilitate local community access (neighbourhood streets) floral and foliage features. Shade and smaller size to allow for services and narrow road reserves.

SPECIES		COMMON NAME	DETAILS			
	<i>ACMENA smithii</i>	Lilly Pilly	Height	Width	Habit	Light
			12m	6m	Evergreen dense foliage	Full sun/part shade
			Soil type	Tolerance	Suitable under powerlines	Flower / fruit
			Clay loam / sandy loam / poor soil	Moderate frost/drought	Can be pruned	White/Cream in Spring to Summer
			Notes			
	<i>BACKHOUSIA citrodora</i>	Lemon Scented Myrtle	Height	Width	Habit	Light
			3-20m	1-5m	Evergreen	Full sun
			Soil type	Tolerance	Suitable under powerlines	Flower / fruit
			Clay loam / sandy loam / poor soil	Light frost	Can be pruned	White/Cream in Summer and autumn
			Notes	Edible Tea, Fragrant Flowers		
	<i>BANKSIA integrifolia</i>	Coastal Banksia	Height	Width	Habit	Light
			4-15m	1-6m	Evergreen	Full sun/Light shade
			Soil type	Tolerance	Suitable under powerlines	Flower / fruit
			Dry, Well drained	Light frost	Can be pruned	Yellow in Spring, Autumn, Winter
			Notes	Drought resistant		
	<i>CALLISTEMON viminalis</i>	Weeping Bottlebrush	Height	Width	Habit	Light
			8m	4m	Evergreen Round	Full sun/Partial shade
			Soil type	Tolerance	Suitable under powerlines	Flower / fruit
			Sandy/Clay/Loamy/Poor Soil	Light frost/Drought/Poor soils	Yes	Red Flowers All year
			Notes	Bird Attracting		
	<i>Corymbia ficifolia cultivars</i>	Flowering Gums	Height	Width	Habit	Light
			3-15m	3-5m	Evergreen	Full sun/Light shade
			Soil type	Tolerance	Suitable under powerlines	Flower / fruit
			Dry, Well drained	Light frost	Yes	Variety of flowers
			Notes	Street Tree, Bird Attracting, Fast Growing, Pollutant Tolerant, Playground Tolerant		






Local Streets

Fabric of the suburban neighbourhood where we live our lives and facilitate local community access (neighbourhood streets) floral and foliage features. Shade and smaller size to allow for services and narrow road reserves.

SPECIES		COMMON NAME	DETAILS			
	<i>Cupaniopsis anacardioides</i>	Tuckeroo	Height	Width	Habit	Light
			8-15m	3-5m	Evergreen	Full sun/Light shade
			Soil type	Tolerance	Suitable under powerlines	Flower / fruit
			Sandy/Clay/Loamy/ Poor Soil	Light frost	Yes	Yellow green in Spring
			Notes	Playground Friendly		
	<i>Elaeocarpus eumundii</i>	Quandong	Height	Width	Habit	Light
			7-10m	2-6m	Evergreen dense foliage	Full sun
			Soil type	Tolerance	Suitable under powerlines	Flower / fruit
			Well drained Loam	Light frost	No	Flowers Spring to Summer with cream flowers
			Notes	Screen/Windbreak		
	<i>Elaeocarpus reticulatis</i>	Blueberry Ash	Height	Width	Habit	Light
			10-30m	10m	Evergreen	Full sun
			Soil type	Tolerance	Suitable under powerlines	Flower / fruit
			Loam	Light frost	No	White umbels / blue to black fruit
			Notes	Fast growing / playground friendly		
	<i>Eucalyptus curtisii</i>	Plunkett Mallee	Height	Width	Habit	Light
			4-6m	2-3m	Evergreen	Full sun
			Soil type	Tolerance	Suitable under powerlines	Flower / fruit
			Poor soils		Yes	White in spring and Summer
			Notes	Mallee and Bird attracting		
	<i>Harpullia pendula</i>	Tulipwood	Height	Width	Habit	Light
			7-9m	2-4m	Evergreen	Full sun
			Soil type	Tolerance	Suitable under powerlines	Flower / fruit
			Well drained	light salty consitions	Yes	Yellow/Green in Summer with orange seed cases in Winter
			Notes	Shade Tree		




Local Streets

Fabric of the suburban neighbourhood where we live our lives and facilitate local community access (neighbourhood streets) floral and foliage features. Shade and smaller size to allow for services and narrow road reserves.

SPECIES		COMMON NAME	DETAILS			
	<i>Lagerstroemia indica</i>	Crepe Myrtle	Height	Width	Habit	Light
			6-8m	3-4m	Deciduous V shaped	Full sun
			Soil type	Tolerance	Suitable under powerlines	Flower / fruit
			Well drained	Light frost	Can be pruned	White/Pink/Mauve Flowers in late Summer
			Notes	Feature tree		
	<i>Magnolia grandiflora</i>	Magnolia	Height	Width	Habit	Light
			25m	10m	Evergreen Oval	Full sun
			Soil type	Tolerance	Suitable under powerlines	Flower / fruit
			Well drained	Coastal conditions	No	White/Cream autumn to Winter
			Notes	Feature tree mulch roots well and avoid pruning		
	<i>Melaleuca leucadendra</i>	Weeping Paperbark	Height	Width	Habit	Light
			8m	4m	Evergreen	Full sun
			Soil type	Tolerance	Suitable under powerlines	Flower / fruit
			Clay Loam/heavy clay	Light frost	Yes	White in Spring/ Summer
			Notes	Bird attracting		
	<i>Melaleuca quinquenervia</i>	Broad-leaved Paperbark	Height	Width	Habit	Light
			10m	4m	Evergreen	Full sun/Light Shade
			Soil type	Tolerance	Suitable under powerlines	Flower / fruit
			Clay Loam/heavy clay	Light frost	Yes	White in Spring/ Summer
			Notes	Bird attracting		
	<i>Pyrus calleryana</i>	Ornamental Pear	Height	Width	Habit	Light
			6-7m	3m	Deciduous - columnar	Full sun
			Soil type	Tolerance	Suitable under powerlines	Flower / fruit
			Clay/Loam/sand	Drought/Moderate Frost	Yes	White Flowers in Spring/Summer
			Notes			






Local Streets

Fabric of the suburban neighbourhood where we live our lives and facilitate local community access (neighbourhood streets) floral and foliage features. Shade and smaller size to allow for services and narrow road reserves.

SPECIES		COMMON NAME	DETAILS			
	<i>Syzygium australe</i>	Lilly Pilly Brush Cherry	Height	Width	Habit	Light
			6m	3m	Evergreen - dense foliage	Full sun/Light Shade
			Soil type	Tolerance	Suitable under powerlines	Flower / fruit
			Clay/Loam/sand	Drought/Moderate Frost	Yes	White Flowers in Spring/Summer
			Notes	Playground friendly		
	<i>Tristaniaopsis laurina</i>	Water gum	Height	Width	Habit	Light
			5 - 15m	3m	Evergreen	Full sun
			Soil type	Tolerance	Suitable under powerlines	Flower / fruit
			Clay loam / sandy loam / poor soil	Light frost / Drought hardy / salt	Can be pruned	Yellow clusters
			Notes	Fast growing / pollution tolerant		
	<i>Waterhousea floribunda</i>	Weeping lilly pilly	Height	Width	Habit	Light
			10m	8m	Evergreen	Full sun / partial shade
			Soil type	Tolerance	Suitable under powerlines	Flower / fruit
			Dry / well drained	Not frost tolerant	Can be pruned to 5m	Small fragrant flowers
			Notes	Fast growing / bird and bee attracting		






Places for People

High levels of pedestrian activity lower levels of vehicle movement (e.g. First Avenue Sawtell main street). Floral and foliage features. Shade. Consider viewlines to signage and architectural features.

SPECIES		COMMON NAME	DETAILS			
	<i>Alloxylon flammeum</i>	Tree warratah	Height	Width	Habit	Light
			10 - 15m	8m	Evergreen	Full sun
			Soil type	Tolerance	Suitable under powerlines	Flower / fruit
			Loam	Drought hardy	No	Red / orange
			Notes	Bee attracting.		
	<i>Buckinghamia celsissima</i>	Ivory curl Tree	Height	Width	Habit	Light
			8-25m	1-4m	Everygreen dense foliage	Full Sun/Light shade
			Soil type	Tolerance	Suitable under powerlines	Flower / fruit
			Well drained Loamy/ Sandy loam/Clay loam	Light frost	Yes	White cream flowers in Summer
			Notes	Feature tree or Street tree bird and bee attracting		
	<i>Brachychiton acerifolius</i>	Illawarra Flame tree	Height	Width	Habit	Light
			10 - 20m	5 - 10m	Deciduous	Full sun / light shade
			Soil type	Tolerance	Suitable under powerlines	Flower / fruit
			Well drained / acidic / neutral	Light frost	No	Red drupe / large seed pod
			Notes	Only used for median plantings		
	<i>Ceratopetalum gummiferum</i>	Christmas Bush	Height	Width	Habit	Light
			5-8m	2m	Evergreen/ spreading	Full sun/partial shade
			Soil type	Tolerance	Suitable under powerlines	Flower / fruit
			Sandy Loam	Light frost	Yes	White/Red in Summer
			Notes	Fast growing / playground friendly		
	<i>Delonix regia</i>	Poinciana	Height	Width	Habit	Light
			10-15m	10m	Evergreen/Deciduous Umbrella habit	Full sun
			Soil type	Tolerance	Suitable under powerlines	Flower / fruit
			Well drained soil	Wind/Salt\	No	Red/Orange flowers in Spring - Summer
			Notes	Used extensively in Woolgoolga		



Places for People

High levels of pedestrian activity lower levels of vehicle movement (e.g. First Avenue Sawtell main street). Floral and foliage features. Shade. Consider viewlines to signage and architectural features.

SPECIES		COMMON NAME	DETAILS			
	<i>Elaeocarpus reticulatis</i>	Blueberry Ash	Height	Width	Habit	Light
			10 - 30m	10m	Evergreen / buttress	Full sun
			Soil type	Tolerance	Suitable under powerlines	Flower / fruit
			Loam	Light frost	No	White umbels / blue to black fruit
Notes			Fast growing / playground friendly			
	<i>Elaeocarpus obovatus</i>	Hard Quandong	Height	Width	Habit	Light
			25m	10m	Evergreen / buttress	Full sun / partial shade
			Soil type	Tolerance	Suitable under powerlines	Flower / fruit
			Sandy loam	Water loged / salt winds	No	White / blue fruit
Notes			Open space shade tree / bird attracting			
	<i>Ficus microcarpa hillii</i>	Hills Weeping Fig	Height	Width	Habit	Light
			25-40m	15-25m	Evergreen with round crown	Full sun
			Soil type	Tolerance	Suitable under powerlines	Flower / fruit
				Cool temperatures	No	Small white flowers early summer
Notes						
	<i>Ficus obliqua</i>	Small Leafed Fig	Height	Width	Habit	Light
			15-30m	30m	Evergreen	Sun/Part shade
			Soil type	Tolerance	Suitable under powerlines	Flower / fruit
			Well drained soil	coastal exposure	No	Organge/yellow fruit in Summer
Notes						
	<i>Jacaranda mimosaeifolia</i>	Jacaranda	Height	Width	Habit	Light
			10m	8m	Deciduous	Full sun
			Soil type	Tolerance	Suitable under powerlines	Flower / fruit
			Loam/Sand	Drought	No	Lavender blue flowers in spring
Notes			Feature Tree - only to be used in high urban areas not adjacent to bushland			

Places for People

High levels of pedestrian activity lower levels of vehicle movement (e.g. First Avenue Sawtell main street). Floral and foliage features. Shade. Consider viewlines to signage and architectural features.

SPECIES		COMMON NAME	DETAILS			
	<i>Podocarpus elatus</i>	Illawarra Plum	Height	Width	Habit	Light
			8-12m	4-7m	Evergreen	Full sun / partial shade
			Soil type	Tolerance	Suitable under powerlines	Flower / fruit
			range of soil types	drought/salt/Sandy soils	Yes	Male and Female plant
			Notes	Bird Attracting		
	<i>Stenocarpus sinuatus</i>	Firewheel Tree	Height	Width	Habit	Light
			8-20m	2-5m	Evergreen	Full sun / partial shade
			Soil type	Tolerance	Suitable under powerlines	Flower / fruit
			Loam/Sand	Drought/light frost	Yes	Red/Orange Whorls in Summer and Autumn
			Notes	Highly ornamental tree that usually exceeds 10m		
	<i>Xanthostemon chrysanthus</i>	Golden Penda	Height	Width	Habit	Light
			10-15m	6-12m	Evergreen	Full sun / partial shade
			Soil type	Tolerance	Suitable under powerlines	Flower / fruit
			Loam/Sand/Clay loam	Not frost tolerant	Yes	Yellow/gold in Summer and Autumn
			Notes	Highly ornamental tree and fast growing		

Main Streets

Combine high vehicle movement and high pedestrian activity (e.g. Pacific Highway through CBD after bypass, Sawtell Road from Hogbin Drive to Sawtell village). Floral and foliage features. Shade and large size to reduce scale of road

SPECIES		COMMON NAME	DETAILS			
	<i>AGATHIS robusta</i>	Queensland Kauri Pine	Height	Width	Habit	Light
			15-25m	6m	Evergreen - tall trunk large crown	Full sun/Light Shade
			Soil type	Tolerance	Suitable under powerlines	Flower / fruit
			Deep, fertile well drained	Light Frost	No	Cones
			Notes	Leathery leaves		
	<i>Angophora costata</i>	Smooth Barked Apple	Height	Width	Habit	Light
			10-20m	6-12m	Upright, spreading	Full sun/Part Shade
			Soil type	Tolerance	Suitable under powerlines	Flower / fruit
			Loam/Rock/ Sand/Clay	Moderate Frost/ Drought/Wind	No	White Flowers in Spring/ Summer
			Notes	Smooth patterned bark		
	<i>Corymbia maculata</i>	Spotted Gum	Height	Width	Habit	Light
			35-45m	8m	Evergreen	Full sun
			Soil type	Tolerance	Suitable under powerlines	Flower / fruit
			Well drained clay loam	Drought/Fire/Frost/ Wind	No	May - September
			Notes			
	<i>Eucalyptus haemastoma</i>	Scribbly gum	Height	Width	Habit	Light
			12m	4m	Evergreen	Full sun/Light shade
			Soil type	Tolerance	Suitable under powerlines	Flower / fruit
			Poor sandy soils	Frost hardy	No	White Spring to Autumn
			Notes	Wind tolerant		
	<i>Eucalyptus saligna</i>	Sydney Blue Gum	Height	Width	Habit	Light
			15-60m	10-30m	Open spreading	Full sun
			Soil type	Tolerance	Suitable under powerlines	Flower / fruit
			Clay loam/loam/sandy clay loam	Frost/Salt Winds	No	White flowers in January - April
			Notes	Koala food tree		
	<i>Flindersia australis</i>	Crows Ash	Height	Width	Habit	Light
			25-40m	15-25m	Evergreen with round crown	Full sun
			Soil type	Tolerance	Suitable under powerlines	Flower / fruit
			Well Drained Clay loam/ loam/sand	Cool temperatures	No	Small white flowers early summer
			Notes			


Main Streets

Combine high vehicle movement and high pedestrian activity (e.g. Pacific Highway through CBD after bypass, Sawtell Road from Hogbin Drive to Sawtell village). Floral and foliage features. Shade and large size to reduce scale of road

SPECIES		COMMON NAME	DETAILS			
	<i>Flindersia schottiana</i>	Cudgerie	Height	Width	Habit	Light
			25-40m	15-25m	Evergreen with round crown	Full sun
			Soil type	Tolerance	Suitable under powerlines	Flower / fruit
			Well Drained Clay loam/ loam/sand	Cool temperatures	No	Small white flowers early summer
			Notes			
	<i>Grevillea baileyana</i>	White Oak	Height	Width	Habit	Light
			8-10m	3-4m	Evergreen with column shape	Full sun/part shade
			Soil type	Tolerance	Suitable under powerlines	Flower / fruit
			Clay	Light frost	No	White cream in Summer
			Notes	Bird Attracting		
	<i>Guioa semiglauca</i>	Native quince	Height	Width	Habit	Light
			8-10m	5m	Evergreen with round crown	Full sun
			Soil type	Tolerance	Suitable under powerlines	Flower / fruit
			Clay	Cool temperatures	No	Small white flowers early spring
			Notes	Bird Attracting		
	<i>Melaleuca leucadendra</i>	Weeping Paperbark	Height	Width	Habit	Light
			8m	4m	Evergreen	Full sun
			Soil type	Tolerance	Suitable under powerlines	Flower / fruit
			Clay Loam/heavy clay	Light frost	Yes	White in Spring/ Summer
			Notes	Bird attracting		
	<i>Zelcova serrata</i>	Japanese Elm	Height	Width	Habit	Light
			14m	10m	V-Shaped	Full sun/Part shade
			Soil type	Tolerance	Suitable under powerlines	Flower / fruit
			Prefers rich soils	Drought (once established)	No	Autumn Colours
			Notes	Deciduous		

Main Roads

Providing movement between regional centres and urban areas (e.g. existing highway/Hogbin Drive/ Orlando Street). Large size to reduce scale of road. Iconic species that define Place.

SPECIES		COMMON NAME	DETAILS			
	<i>AGATHIS robusta</i>	Queensland Kauri Pine	Height	Width	Habit	Light
			15-25m	6m	Evergreen - tall trunk large crown	Full sun/Light Shade
			Soil type	Tolerance	Suitable under powerlines	Flower / fruit
			Deep, fertile well drained	Light Frost	No	Cones
		Notes	Leathery leaves			
	<i>Angophora costata</i>	Smooth Barked Apple	Height	Width	Habit	Light
			10-20m	6-12m	Upright, spreading	Full sun/Part Shade
			Soil type	Tolerance	Suitable under powerlines	Flower / fruit
			Loam/Rock/ Sand/Clay	Moderate Frost/ Drought/Wind	No	White Flowers in Spring/ Summer
		Notes	Smooth patterned bark			
	<i>Araucaria heterophylla</i>	Norfolk Pine	Height	Width	Habit	Light
			30m	8m	Evergreen columnar/ pyramidal	Full sun/Part Shade
			Soil type	Tolerance	Suitable under powerlines	Flower / fruit
			Well drained soils from sand to clay loams	Salt/Wind/Sandy Soils	No	Cones
		Notes	Huge tree requires lots of space			
	<i>Araucaria cunninghamii</i>	Hoop Pine	Height	Width	Habit	Light
			40m	12m	Evergreen tall conical	Full sun/Light Shade
			Soil type	Tolerance	Suitable under powerlines	Flower / fruit
			Well drained	Wind/salt and once established light frost	No	Cones
		Notes	Huge tree requires lots of space			
	<i>Corymbia maculata</i>	Spotted Gum	Height	Width	Habit	Light
			35-45m	8m	Evergreen	Full sun
			Soil type	Tolerance	Suitable under powerlines	Flower / fruit
			Well drained clay loam	Drought/Fire/Frost/ Wind	No	May - September
		Notes				






Main Roads

Providing movement between regional centres and urban areas (e.g. existing highway/Hogbin Drive/ Orlando Street). Large size to reduce scale of road. Iconic species that define Place.

SPECIES		COMMON NAME	DETAILS			
	<i>Eucalyptus haemastoma</i>	Scribbly gum	Height	Width	Habit	Light
			12m	4m	Evergreen	Full sun/Light shade
			Soil type	Tolerance	Suitable under powerlines	Flower / fruit
			Poor sandy soils	Frost hardy	No	White Spring to Autumn
			Notes	Wind tolerant		
	<i>Eucalyptus saligna</i>	Sydney Blue Gum	Height	Width	Habit	Light
			15-60m	10-30m	Open spreading	Full sun
			Soil type	Tolerance	Suitable under powerlines	Flower / fruit
			Clay loam/loam/sandy clay loam	Frost/Salt Winds	No	White flowers in January - April
			Notes	Koala food tree		
	<i>Ficus microcarpa hillii</i>	Hills Weeping Fig	Height	Width	Habit	Light
			25-40m	15-25m	Evergreen with round crown	Full sun
			Soil type	Tolerance	Suitable under powerlines	Flower / fruit
				Cool temperatures	No	Small white flowers early summer
			Notes			
	<i>Ficus obliqua</i>	Small Leafed Fig	Height	Width	Habit	Light
			15-30m	30m	Evergreen	Sun/Part shade
			Soil type	Tolerance	Suitable under powerlines	Flower / fruit
			Well drained soil	coastal exposure	No	Orange/yellow fruit in Summer
			Notes			
	<i>Flindersia australis</i>	Crows Ash	Height	Width	Habit	Light
			25-40m	15-25m	Evergreen with round crown	Full sun
			Soil type	Tolerance	Suitable under powerlines	Flower / fruit
			Well Drained Clay loam/loam/sand	Cool temperatures	No	Small white flowers early summer
			Notes			

Main Roads

Providing movement between regional centres and urban areas (e.g. existing highway/Hogbin Drive/ Orlando Street). Large size to reduce scale of road. Iconic species that define Place.

SPECIES		COMMON NAME	DETAILS			
	<i>Lophostemon confertus</i>	Brush Box	Height	Width	Habit	Light
			10-25m	5-15m	Evergreen	Full sun
			Soil type	Tolerance	Suitable under powerlines	Flower / fruit
			Loamy/Sandy loam/Clay loam/Poor	Light frost	No	White in Spring/ Summer
			Notes	Pollution tolerant and fast growing		
	<i>Melaleuca leucadendra</i>	Weeping Paperbark	Height	Width	Habit	Light
			8m	4m	Evergreen	Full sun
			Soil type	Tolerance	Suitable under powerlines	Flower / fruit
			Clay Loam/heavy clay	Light frost	Yes	White in Spring/ Summer
			Notes	Bird attracting		
	<i>Melaleuca quinquenervia</i>	Broad-leaved Paperbark	Height	Width	Habit	Light
			10m	4m	Evergreen	Full sun/Light Shade
			Soil type	Tolerance	Suitable under powerlines	Flower / fruit
			Clay Loam/heavy clay	Light frost	Yes	White in Spring/ Summer
			Notes	Bird attracting		
	<i>Syncarpia glomulifera</i>	Turpentine Tree	Height	Width	Habit	Light
			25m	12m	Evergreen	Full sun/Part shade
			Soil type	Tolerance	Suitable under powerlines	Flower / fruit
			Well drained soi;	Wind and salt	No	White in Summer
			Notes	Windbreak		
	<i>Zelcova serrata</i>	Japanese Elm	Height	Width	Habit	Light
			14m	10m	V-Shaped	Full sun/Part shade
			Soil type	Tolerance	Suitable under powerlines	Flower / fruit
			Prefers rich soils	Drought (once established)	No	Autumn Colours
			Notes	Deciduous		

Notes

A note to allow consideration of other species outside the set palette could address this and help 'future proof' the plan.

This could be achieved by specifying required characteristics for trees in different zones and areas. Not only street, lane, park, but also coastal, hinterland, exposed, etc.

Tree size in relation to soil type and required soil vault needs to be included if optimum growth is to be achieved. This is an issue particularly within verge plantings.

Consideration of possible new varieties: while they may not have been tested in Coffs, there are a number of smaller varieties becoming popular in urban areas such as *Corymbia varigata* that vary in height from 6 to 15m.

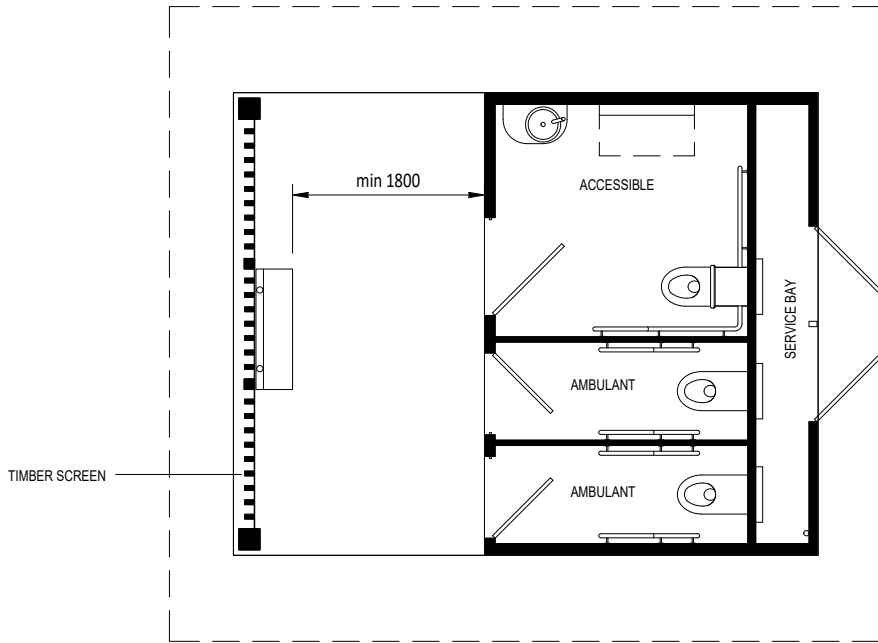
Tree Size Maturity	Average soil volume required
Small	11.9m ³
Medium	21.7m ³
Large	34m ³

Soil Type	Typical Rooting Depth (mm)
Shallow Podzols	100-300
Deep Podzols	300-500
Sands Chernozems Kraznozems	500-700
Structural Soils /Structural Manufactured Soils	Manufacturers' / supplier recommendation or council detail

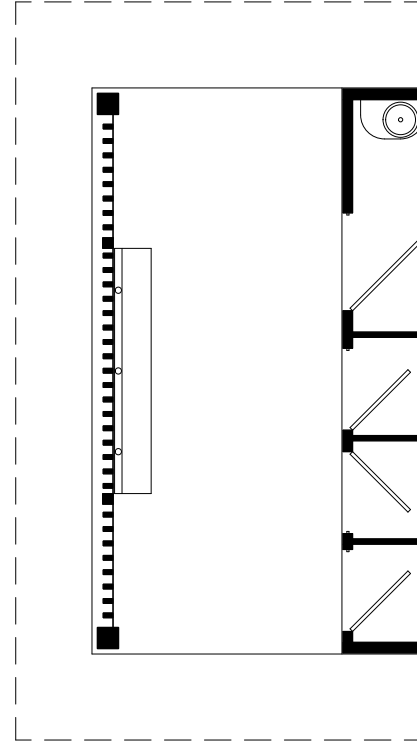


APPENDIX 2 - RECOMMENDED FURNITURE SPECIFICATIONS SHEETS

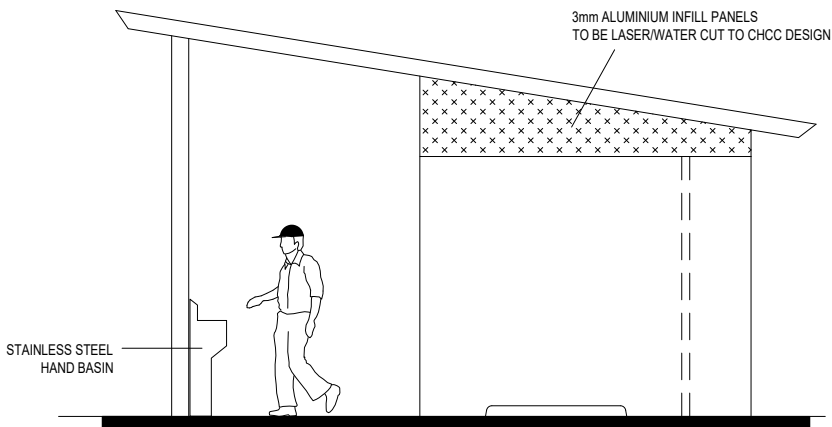
LGA WIDE PALETTE 01 & 02 - CHCC AMENITY BLOCK



PLAN VIEW OF TYPICAL 3-CUBICLE

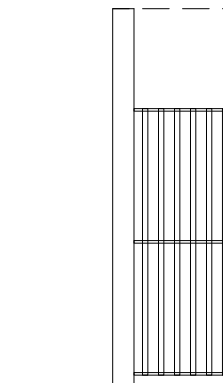


PLAN VIEW OF TYPICAL 3-CUBICLE



SIDE VIEW

MAT'L:
POSTS 200 x 2
BATTENS 90 x
TOP & BOTTO
MIDDLE BRAC



COLORS:

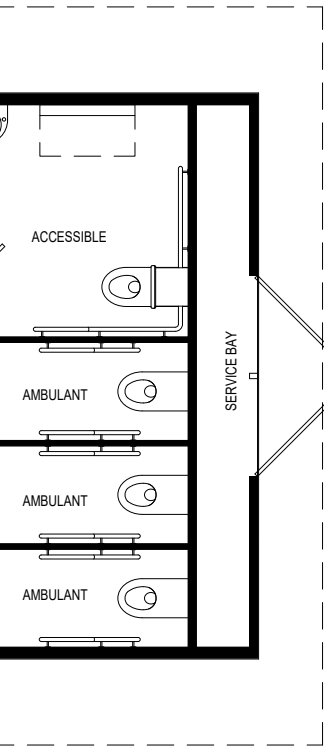
1. EXTERIOR WALLS - COLOURBOND BASALT
2. PERFORATED METAL – COLOURBOND SHALE GREY
3. ROOF – COLOURBOND EVENING HAZE
4. TIMBER - SIKKENS EXTERIOR
5. FLOOR (INSIDE) EPOXY COATING COLOR CAMO LARGE
6. FLOOR (OUTSIDE) TO SUIT PATHS

STEEL WORK AND PAINT SPECIFICATIONS:

1. ALL STAINLESS STEEL COMPONENTRY IS GRADE 316.
2. ALL COLORBOND STEEL WILL BE ULTRA GRADE.
3. ALL STEELWORK WILL HAVE THE FOLLOWING CORROSION RESISTANCE METHOD APPLIED:
4. PRE-GALVANISED STEEL MEMBERS
5. ALL WELD JUNCTIONS TREATED WITH COLD GALVANISED PAINT
6. WHIP-BLASTED
7. COATED WITH DULUX EHB6 SYSTEM (ZINCANODE 402, DUREMAX GPE, DUREMAX GPE)
8. ALL VISIBLE STEELWORK TO HAVE ADDITIONAL COAT OF WEATHERMAX HPR TINTED TO COLOUR

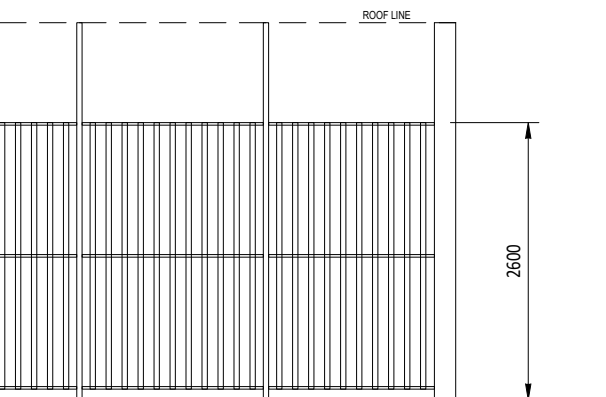
TIMBER TREATMENT:

1. SURFACE PREPARATION
 - USE SIKKENS CETOL BL TANNIN & OIL REMOVER
 - USE SIKKENS CETOL BL DECK & WOOD CLEANER
2. PROTECTIVE COATINGS
 - APPLY 1 COAT OF SIKKENS CETOL HLSE
 - APPLY 2 COATS OF SIKKENS CETOL FILTER 7 PLUS



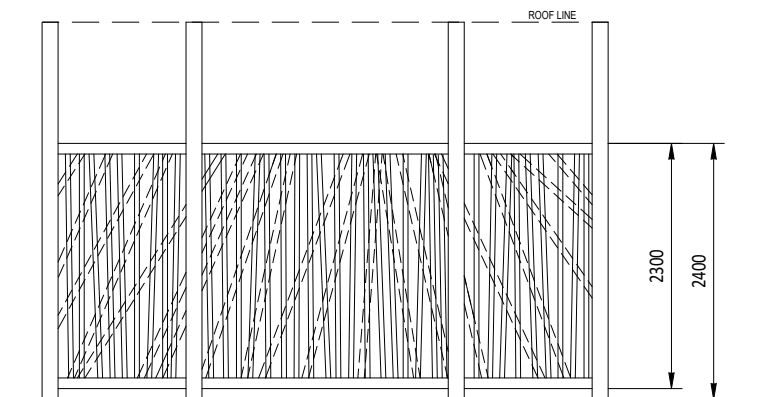
TYPICAL 4-CUBICLE

100 IRONBARK
45 IRONBARK
M RAILS 75 x 6 EA
E 50 x 6 FLAT



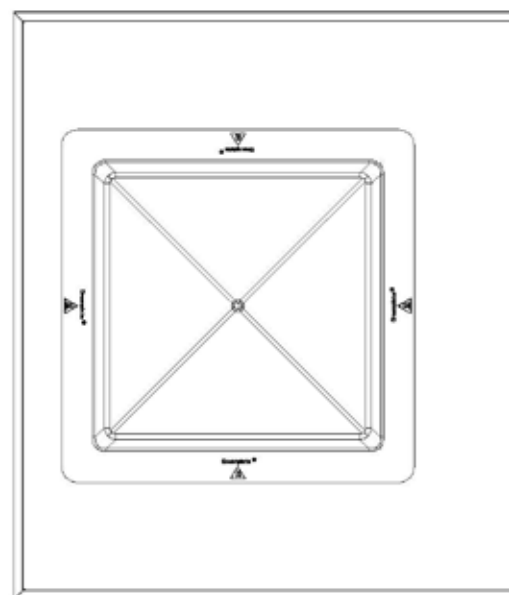
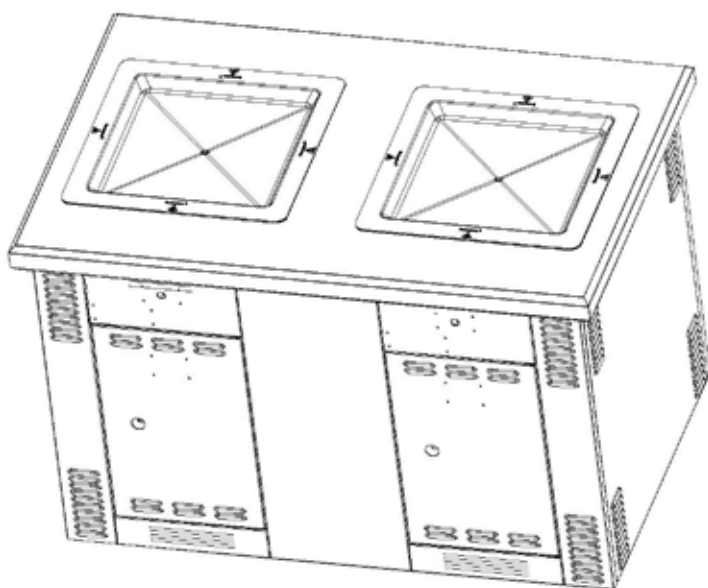
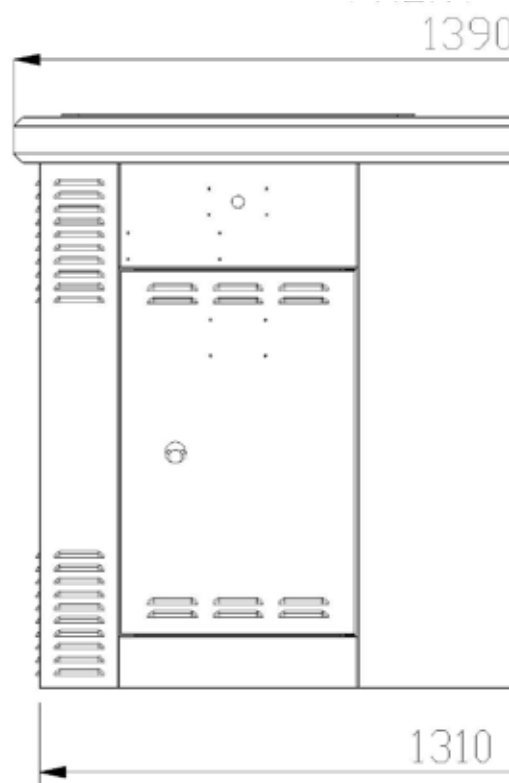
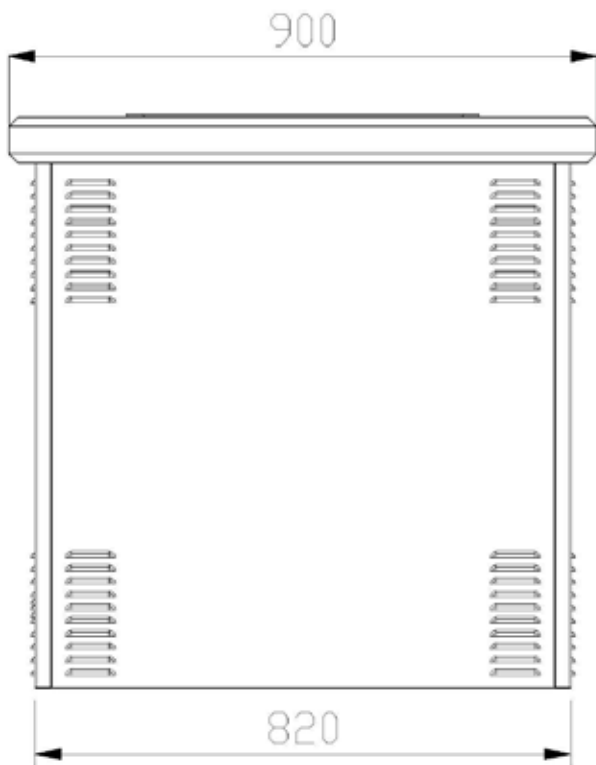
TYPICAL FRONT SCREEN FOR LOCAL PARKS

MATL:
POSTS 150 x 150 SHS
TOP & BOTTOM RAIL 100 x 50 RHS
CROSS BRACES 50 x 50 x 5 UA
BATTENS 50 x 50 IRONBARK

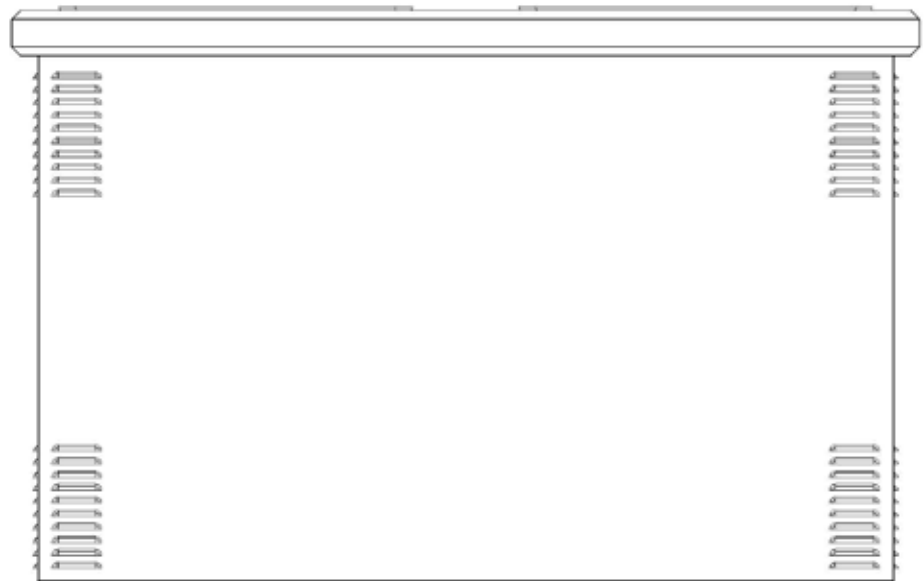
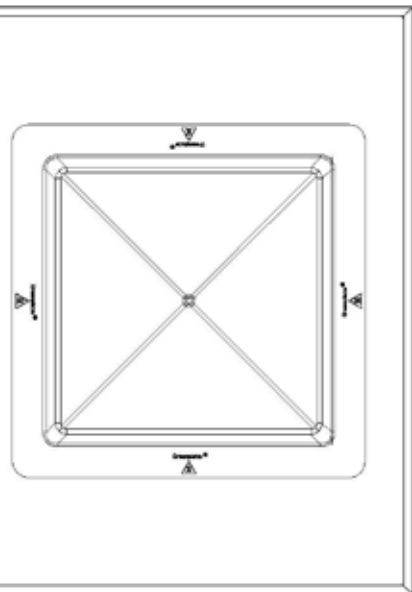
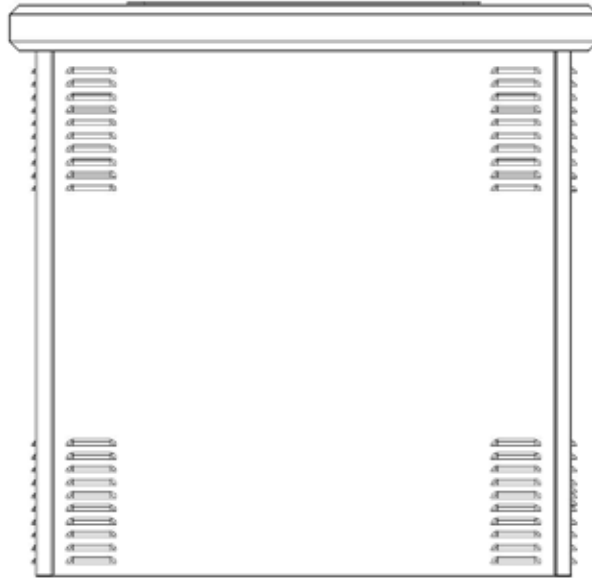
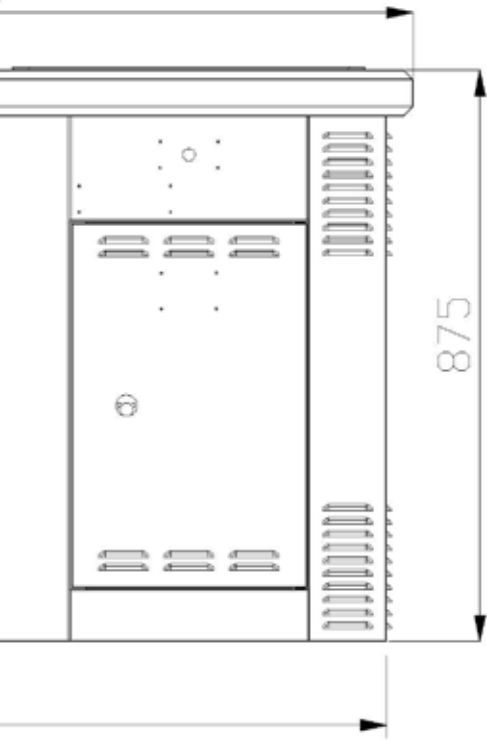


TYPICAL FRONT SCREEN FOR MAJOR PARKS

03 - GREENPLATE ELECTRIC BARBECUE - MATILDA



TOP VIEW



EW

BACK VIEW



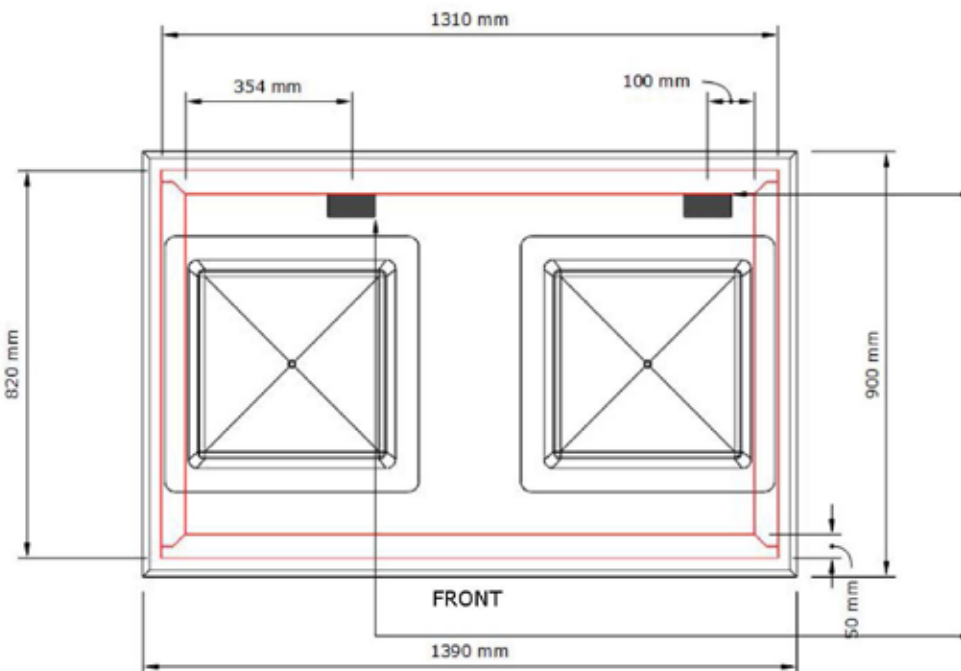
Greenplate ® Matilda Double Barbecue Bench Electrical Wiring Requirements

Suggested slab size 3765 mm x 2865 mm x 100 mm thick.
Base size of Matilda barbecue bench 1310 mm x 820 mm OD
50 mm turn in for fixing of bench to the concrete slab
6 x M10 Dyna bolts 50 mm deep (Supplied) Level bench by adjusting Leveling Feet.

ELECTRICAL WIRING REQUIRMENTS:

Electrical wiring to waterproof GPO 10 amp to AS3000:2007 standard requires a minimum of 2.5 mm² cabling for each Greenplate Inbench barbecue unit, larger for long runs, with each barbecue unit having it's own 20 amp RCBO C-Curve type A in the mains sub-board.

"Under No circumstance should more than one barbecue unit be on one power line. Failure to install correctly will VOID the warranty as damage to the electrical equipment will occur."



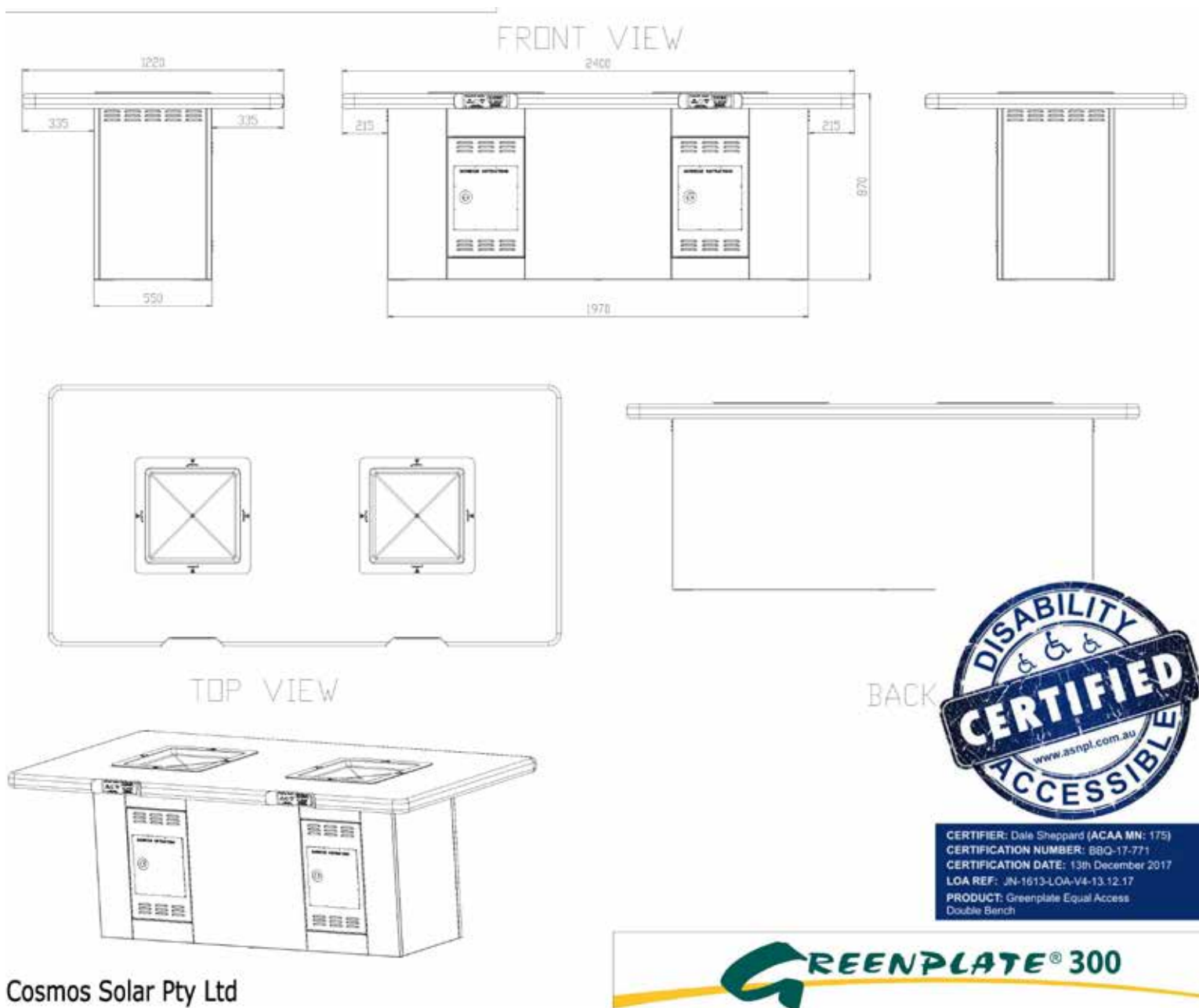
SINGLE GPO POWER POINT WITH SEPARATE 10 AMP CIRCUIT FOR EACH INBENCH BBQ UNIT TO BE INSTALLED 100 mm CENTRE FROM BOTTOM FOLD OF THE RIGHT SIDE PANEL ON A GPO SUPPORT POST.

SINGLE GPO POWER POINT WITH SEPARATE 10 AMP CIRCUIT FOR EACH INBENCH BBQ UNIT TO BE INSTALLED 354 mm CENTRE FROM BOTTOM FOLD OF THE LEFT SIDE PANEL ON A GPO SUPPORT POST.

IMPORTANT INSTALLATION REQUIREMENTS FOR THE GREENPLATE® PID INBENCH BARBECUE UNIT

1. **Correct wiring of the Greenplate® Barbecue is essential. Incorrect installation will void the Warranty. Each Greenplate® barbecue plate must have its own 10 amp circuit with a 20 amp RCBO C-Curve type A. Having a rated residual operating current not exceeding 30mA in the sub-board, as per AS3000.2007 standard requires a minimum of 2.5 mm² cabling for each unit for longer runs larger cabling will be required. If unsure contact Greenplate Pty Ltd service on 0411 845 534. An Australian approved 3 pins, 10 amp electrical extension lead is required as a supply cord, maximum length 2 meters. All electrical work must be carried out by appropriated electrical licenced personnel in accordance with the National wiring rules.**
2. Unit must be installed in a weather proof enclosure to IPX4 or equivalent, minimum 50 mm clearance around electrical housing is required. Please protect barbecue plate and benches from industrial fallout during any construction as rust from fillings or chemicals will not be covered under warranty
3. Benches not supplied by Greenplate Pty Ltd must be adequately cross ventilated. Ventilate bench to allow free air flow through cabinet. Failure to ventilate the bench can result in premature failure of equipment, this is not covered under warranty. Cross Ventilation area of 0.035m² required. All Greenplate® benches are pre-fitted with adequate ventilation.
4. Cut square hole into bench top where desired (490 mm x 490 mm). Carefully lower Greenplate® 300 unit into opening. Install lockdown U bracket, threaded drain pipe and washers as per (Figure 3.). Position Remote ON/Off push button switch to your desired location (19 mm hole). Mount switch plate, instruction and safety labels to outside of bench.
5. Ensure appropriate grease collection bin and bag (supplied) is placed under the drain tube.
6. Plug extension lead (**not supplied**) into input socket of the unit (Figure 1.) and then into wall socket outlet having an earth contact (10 amp, 230 VAC) and turn ON (at wall only). Set thermostat to your required temperature (Figure 1.) 320°C is recommended, for general use.
7. Switch on mains power, wait thirty seconds BBQ will beep once for 50 hz twice for 60 hz. Unit will 'energize' printed circuit board. Press switch. A buzzer will sound once and the push button switch will light red when BBQ is heating and green when desired cooking temperature is reached. The timer is preset to switch off the barbecue after 28 minutes. To stop barbecue during cycle press and hold the switch for 5 seconds.
8. A security setting is available by switching the micro switch # 2 on the PCB control board to on position all other dipswitches off. **This selects the press and hold, for the six seconds delay function, and should be accessed by qualified personnel only.**
9. Buzzer will sound three times at the end of the 28 minute cooking cycle.
10. **Clean the plate prior to use with warm soapy water to remove any dirt and for safe hygienic cooking. Ensure the plate is cleaned regularly to maintain its appearance and longevity.**
11. This appliance is not intended for use by persons (including children) with reduced physical, sensory or mental capabilities, or lack of experience and knowledge, unless they have been given supervision or instruction concerning use of the appliance by a person responsible for their safety. Children should be supervised to ensure that they do not play with the appliance.
12. **WARNING:** Charcoal or similar combustible fuels must not be used with this appliance

04 - GREENPLATE EQUAL ACCESS BARBECUE





ABN 71 112 123 038 | ACN 112 123 038
UNIT 2/15 NATASHA STREET
CAPALABA 4157 QUEENSLAND AUSTRALIA
WEB: www.greenplate.com.au EMAIL: info@greenplate.com.au
PHONE: (07) 3245 3008 FACSIMILE: (07) 3245 3009

IMPORTANT INSTALLATION REQUIREMENTS FOR THE GREENPLATE® PID INBENCH BARBECUE UNIT

- Correct wiring of the Greenplate® Barbecue is essential. Incorrect installation will void the Warranty. Each Greenplate® barbecue plate must have its own 10 amp circuit with a 20 amp RCBO C-Curve type A. Having a rated residual operating current not exceeding 30mA in the sub-board, as per AS3000.2007 standard requires a minimum of 2.5 mm² cabling for each unit for longer runs larger cabling will be required. If unsure contact Greenplate Pty Ltd service on 0411 845 534. An Australian approved 3 pins, 10 amp electrical extension lead is required as a supply cord, maximum length 2 meters. All electrical work must be carried out by appropriated electrical licenced personnel in accordance with the National wiring rules.**
- Unit must be installed in a weather proof enclosure to IPX4 or equivalent, minimum 50 mm clearance around electrical housing is required. Please protect barbecue plate and benches from industrial fallout during any construction as rust from filings or chemicals will not be covered under warranty
- Benches not supplied by Greenplate Pty Ltd must be adequately cross ventilated. Ventilate bench to allow free air flow through cabinet. Failure to ventilate the bench can result in premature failure of equipment, this is not covered under warranty. Cross Ventilation area of 0.035m² required. All Greenplate® benches are pre-fitted with adequate ventilation.
- Cut square hole into bench top where desired (490 mm x 490 mm). Carefully lower Greenplate® 300 unit into opening. Install lockdown U bracket, threaded drain pipe and washers as per (Figure 3.). Position Remote ON/Off push button switch to your desired location (19 mm hole). Mount switch plate, instruction and safety labels to outside of bench.
- Ensure appropriate grease collection bin and bag (supplied) is placed under the drain tube.
- Plug extension lead (**not supplied**) into input socket of the unit (Figure 1.) and then into wall socket outlet having an earth contact (10 amp, 230 VAC) and turn ON (at wall only). Set thermostat to your required temperature (Figure 1.) 320°C is recommended, for general use.
- Switch on mains power, wait thirty seconds BBQ will beep once for 50 hz twice for 60 hz. Unit will 'energize' printed circuit board. Press switch. A buzzer will sound once and the push button switch will light red when BBQ is heating and green when desired cooking temperature is reached. The timer is preset to switch off the barbecue after 28 minutes. To stop barbecue during cycle press and hold the switch for 5 seconds.
- A security setting is available by switching the micro switch # 2 on the PCB control board to on position all other dipswitches off. **This selects the press and hold, for the six seconds delay function**, and should be accessed by qualified personnel only.
- Buzzer will sound three times at the end of the 28 minute cooking cycle.
- Clean the plate prior to use with warm soapy water to remove any dirt and for safe hygienic cooking. Ensure the plate is cleaned regularly to maintain its appearance and longevity.**
- This appliance is not intended for use by persons (including children) with reduced physical, sensory or mental capabilities, or lack of experience and knowledge, unless they have been given supervision or instruction concerning use of the appliance by a person responsible for their safety. Children should be supervised to ensure that they do not play with the appliance.
- WARNING:** Charcoal or similar combustible fuels must not be used with this appliance

Greenplate Service Line 0411 845 534

Greenplate is a registered trademark

05 - APR BOLLARD - LGA WIDE LOW MAINTENANCE OPTION

* All prices exclude GST and are per lineal metre.

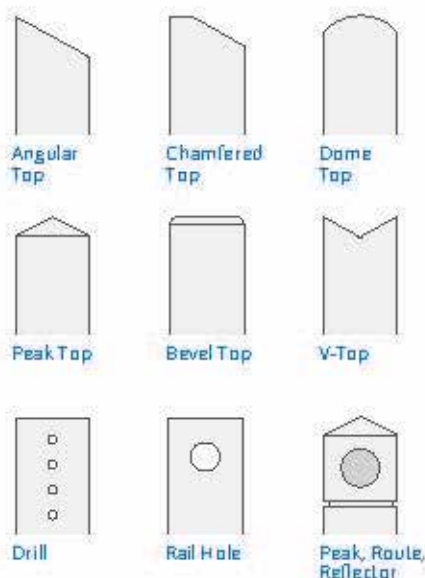
Bollards



Profile (mm)	APR Code	Price*
75 x 75	75.75	\$13.63
90 x 90	90.90	\$19.98
100 x 100	100.100	\$24.91
125 x 125	125.125	\$37.13
138 x 138	138.138	\$48.18
150 x 150	150.150	\$52.64
150 x 100	150.100	\$35.49
150 x 75	150.75	\$28.44
200 x 75	200.75	\$37.60
200 x 90	200.90	\$44.18
200 x 100	200.100	\$47.94
200 x 200	200.200	\$115.88

Bollards are available in **standard** or **custom** lengths.

Bollards – Second Fix Options



Option	APR Code	Price
Angular Top	2ND-ANG	POA
Chamfered Top	2ND-CHAM	POA
Dome Top	2ND-DOME	POA
Peak Top	2ND-PEAK	POA
Bevel Top	2ND-BVL	POA
V-Top	2ND-VC	POA
Drill	2ND-DRILL	POA
Rail Hole	2ND-MILL	POA
Route	2ND-ROUTE	POA
Reflector - Red	2ND-REF[R]	POA
Reflector - White	2ND-REF[W]	POA
Reflector Route	2ND-REF[RTE]	POA

o6 & o7 - SHOWER

o8 - 240L SECURITY BIN STAND DOUBLE - SULO

Dimensions

■ All stands are available as a single stand or a dual stand.

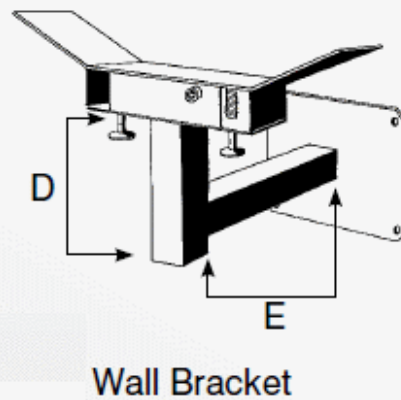
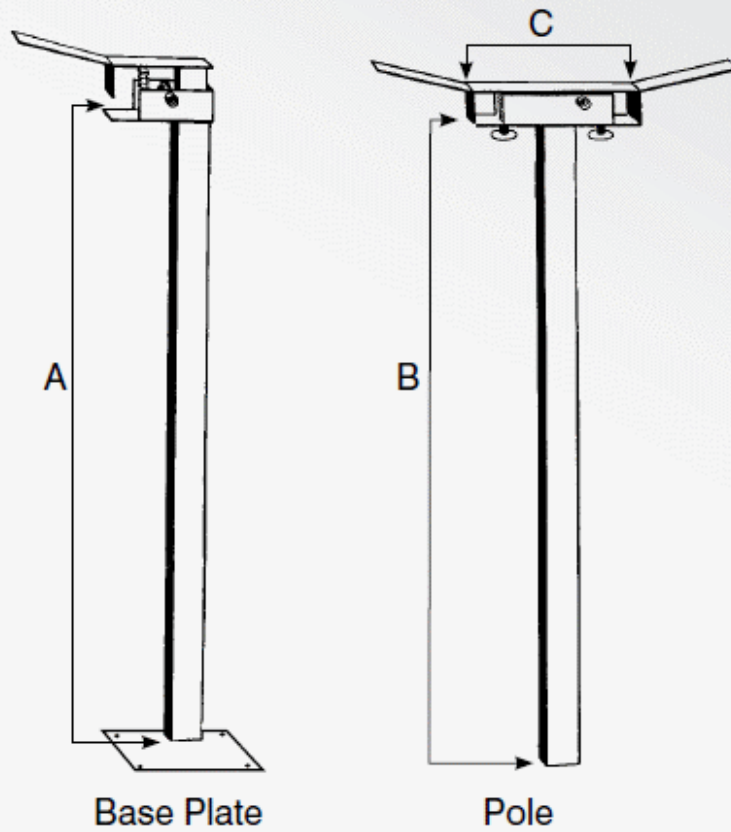
■ A 120L - 890mm 140L - 1020mm 240L - 1020mm

■ B 1330mm

■ C 250mm

■ D 200mm

■ E 300mm



Features

SULO security stands are manufactured from hot-dipped galvanised steel, ensuring quality and durability for the Australian market.

SULO stands are corrosion resistant and ideal for any location, including coastal areas.

Key features of a SULO stand include the solid steel locking plate, the lid restrictor and the spring loaded locking mechanism.

Colours

Galvanised Steel

All stands are galvanised for maximum corrosion resistance, including all powder coated options

Powder Coated

A variety of colours are available* including Heritage Green, Classic Cream, Woodland Grey and Black Satin

Fixing options

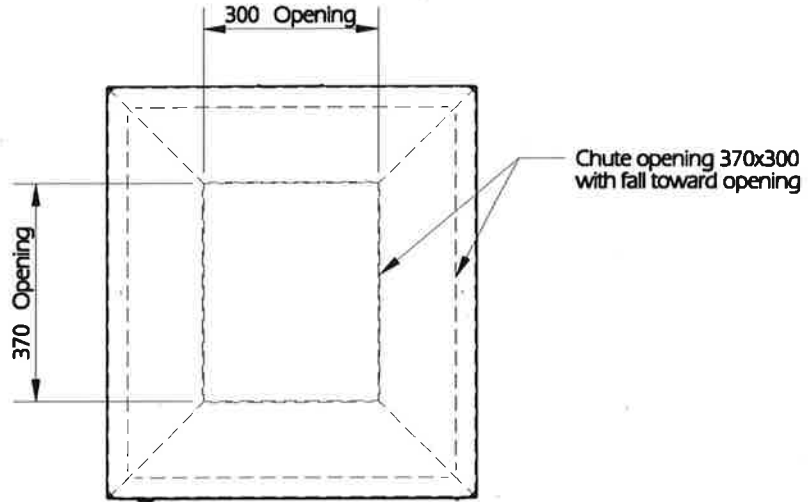
Base Plate

Allows the stand to be fixed onto existing concrete or paved areas. This option is available to suit 120L, 140L and 240L bins.

Pole
Allows the stand to be fixed into new concrete. This option suits all sized bins.

Wall Bracket
Allows the stand to be fixed to an existing wall. This option suits all sized bins

09 - 240L BIN SURROUND SINGLE BIN - GRILLEX



TOP VIEW
SCALE: NTS

6mm Powder Coated aluminium lid
Side Panels Grade 5005-H34.
Top panel Grade 5083-H116.
Lid welds use Grade 5356
aluminium wire.
PC Colour: Duratec Eternity -
Silver Kinectic Pearl Satin

1.2mm No4 Brushed Stainless Steel Chute
Grade 316. Chute welds use Grade 316 wire
and are pickled.

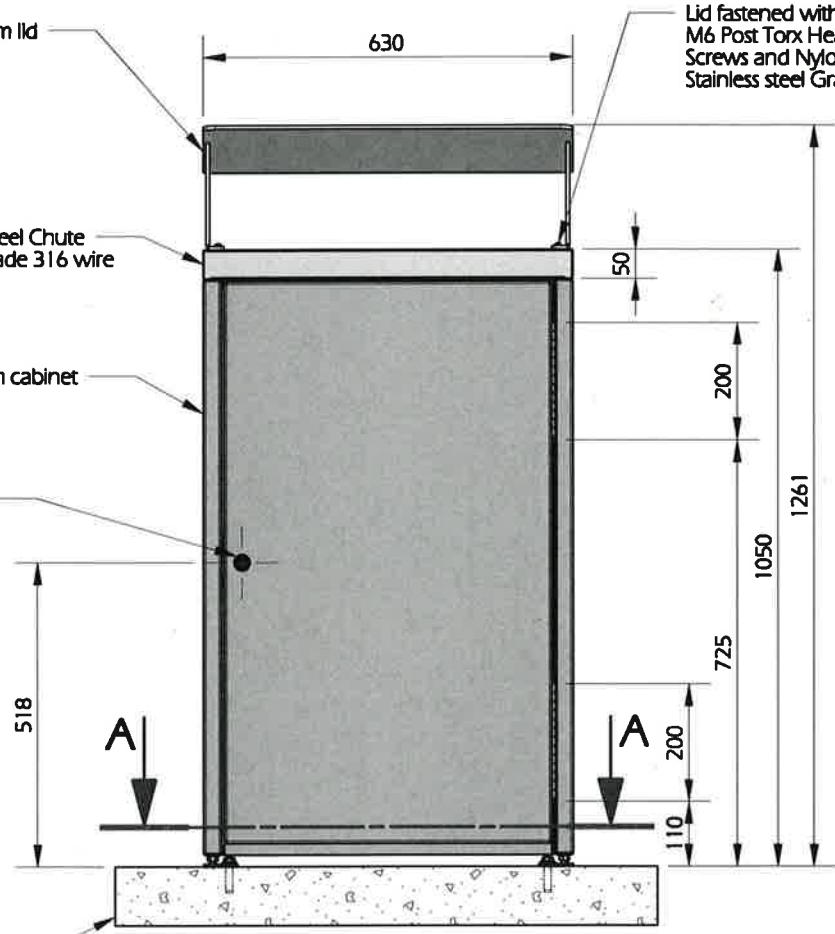
3mm Powder Coated aluminium cabinet
Grade 5005-H34
PC Colour: Duratec Eternity -
Silver Kinectic Pearl Satin

8mm Triangle drive door latch
Stainless Steel Grade 316

Lid fastened with
M6 Post Torx Head
Screws and Nyloc Nuts.
Stainless steel Grade 316.

2 Piano Hinges per door
Stainless Steel Grade 316
with 6-3 Rivets Stainless Steel
Grade 316

Custom laser cut artwork
as approved by client to
both side panels



ELEVATION
SCALE: NTS

Sub

This drawing

Customer A

Print Name:

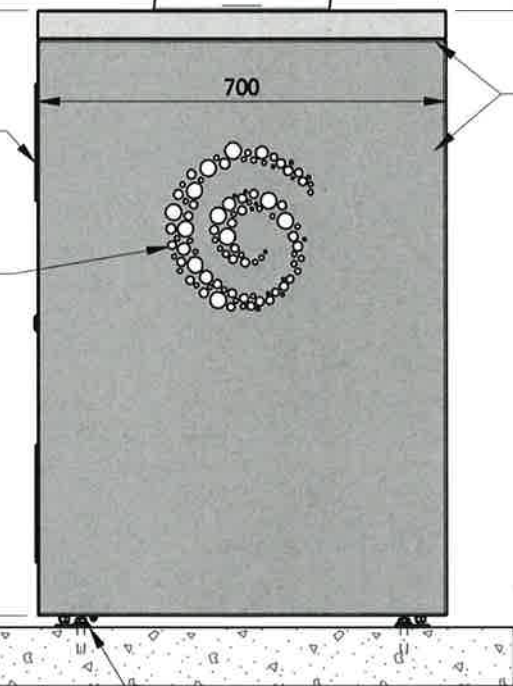
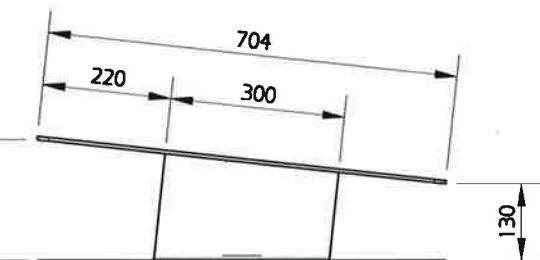
LEANNE

Signed:

Submission For Approval
GRILLEX
 Submission No: 1
 To be returned to GRILLEX prior to the start of engineering / manufacturing work
 Approval:
 Company: CHEAL COFFS HARBOUR CITY COUNCIL.
 Date: 11/9/19

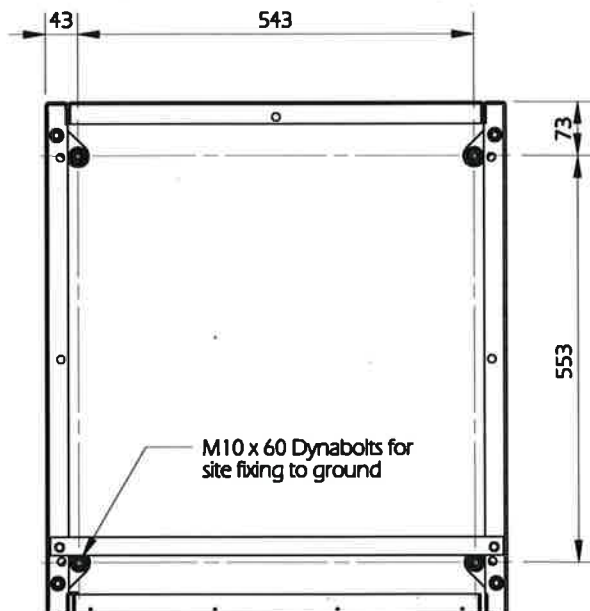


PICTORIAL VIEW



SIDE VIEW
SCALE: NTS

Cabinet & chute fastened internally with M6 Hex HD Bolts and Nyloc Nuts Stainless steel Grade 316.



FOOTPRINT
SECTION A-A
SCALE 1:10

10-13 - BUS SHELTERS

FINISH:

CHCC Bus Shelters

AS/NZS 2312 system: HDG600-P7

Surface preparation (AS/NZS 1627.4):

Sweep abrasive blast (whip blasting)

1st Coat: Product Wattyl Epinamel PR250 75um

2nd Coat: Product Wattyl Poly U750 100um

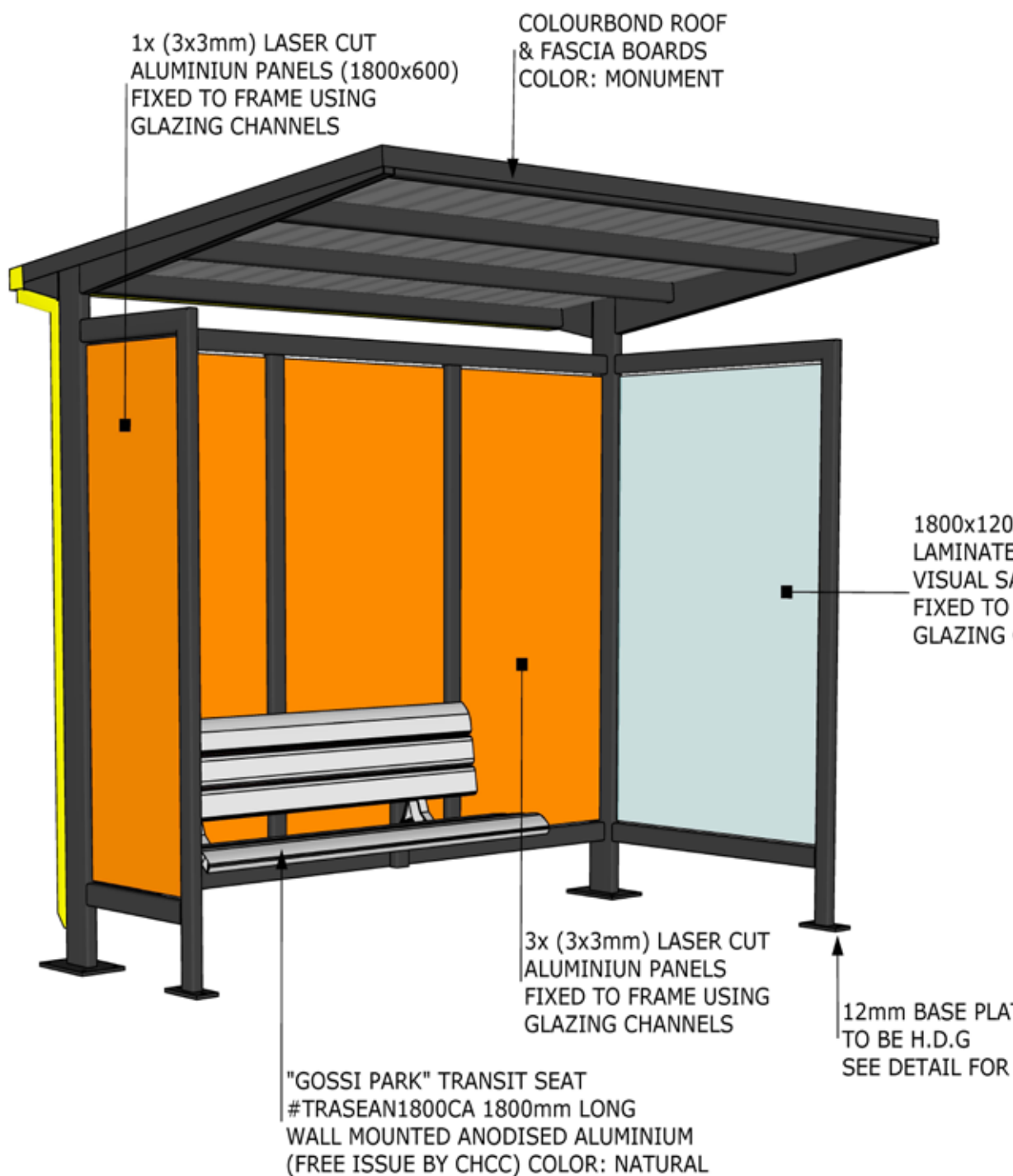
Total dry film thickness: 175um

Frame Color: Colourbond "Monument"

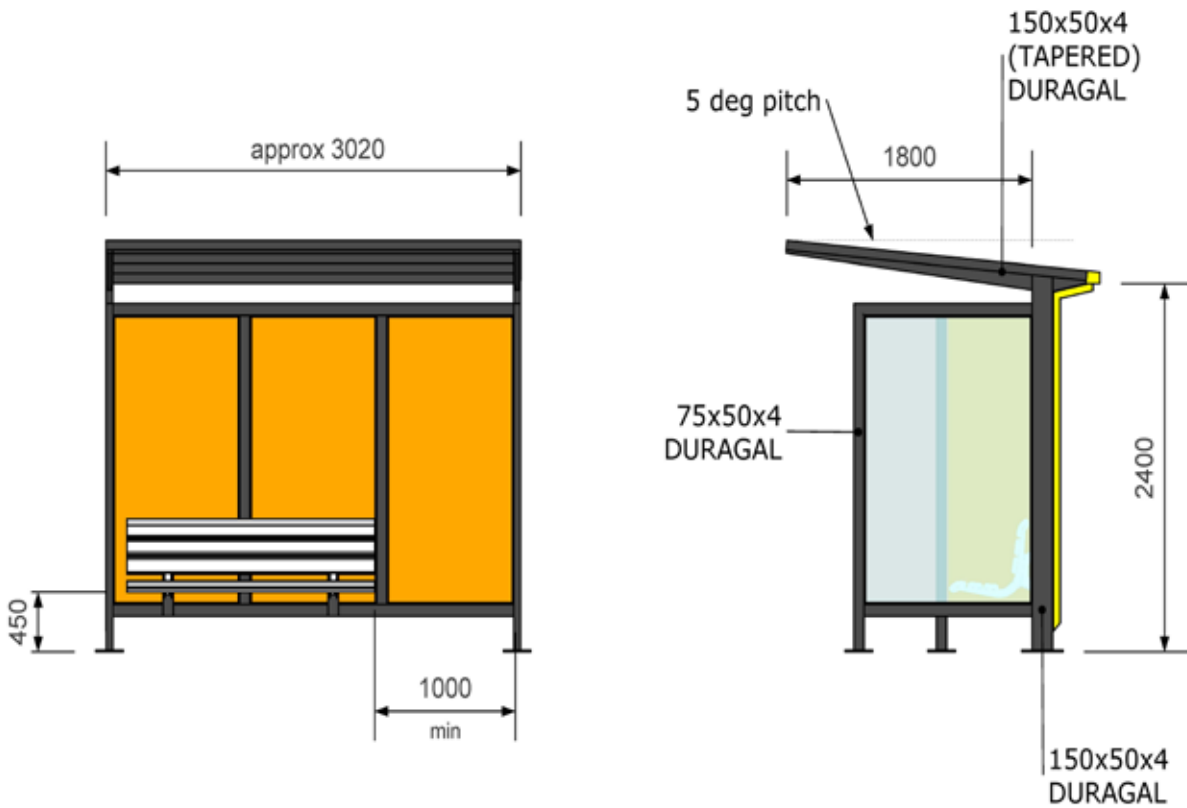
**** LASER CUT PANELS**

WILL BE SUPPLIED IN AUTOCAD

FORMAT FROM CHCC

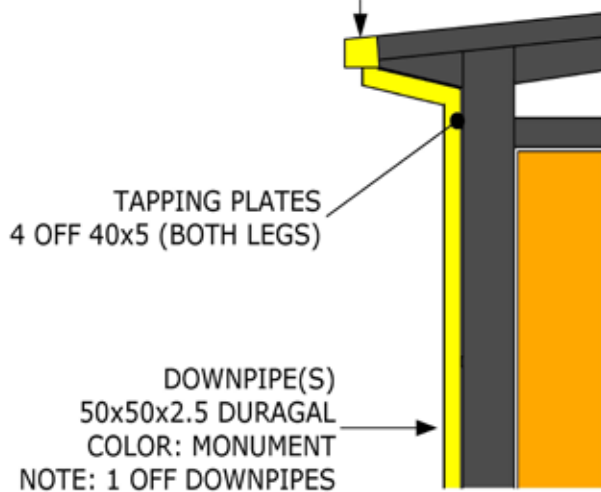


DXF



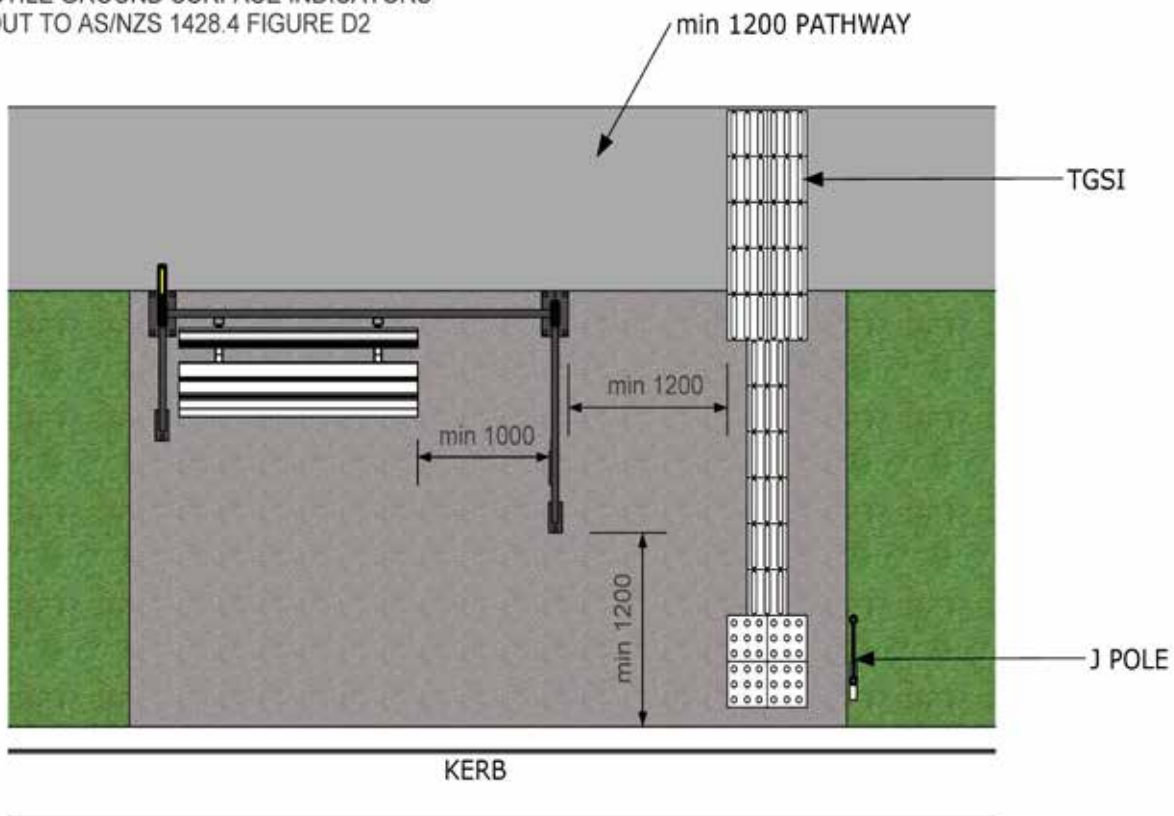
0x8.38mm
ED GLASS WITH
SAFETY STRIP/S
FRAME USING
CHANNELS

1.6mm FOLDED GAL. STEEL
GUTTER FULL LENGTH OF ROOF
HEM EDGE FOR PROTECTION
COLOR: MONUMENT

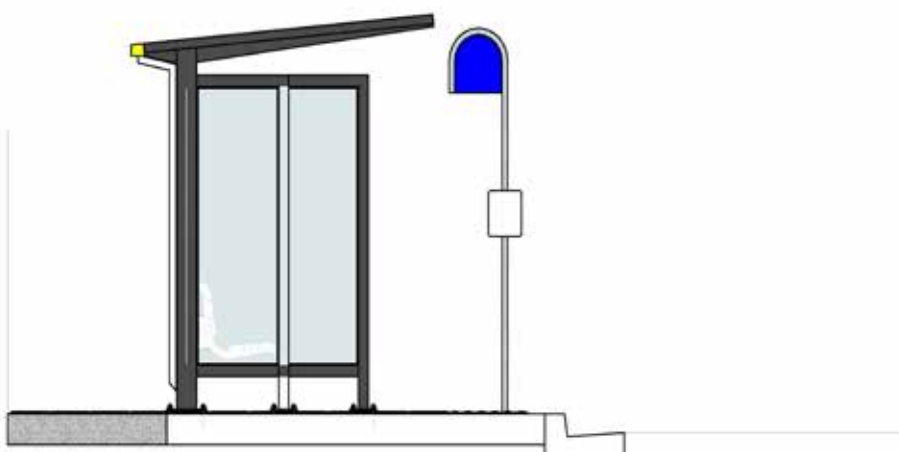


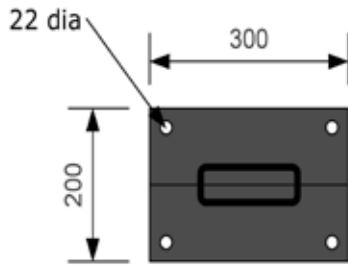
TES
FIXING

TGSI = TACTILE GROUND SURFACE INDICATORS
SETOUT TO AS/NZS 1428.4 FIGURE D2

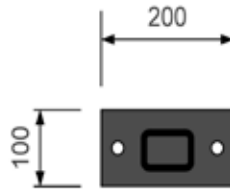


TYPICAL ONLY - CONFIRM DIMENSIONS ON-SITE
NOTE: CONCRETE WORK BY CHCC

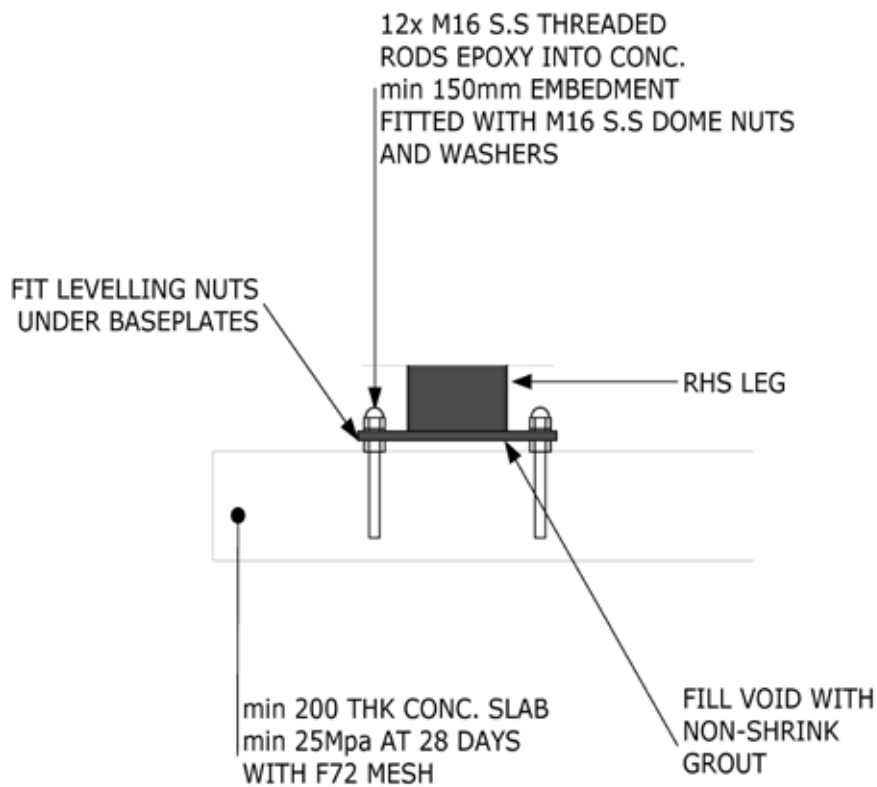




REAR BASEPLATE
HOT DIPPED GALV



FRONT BASEPLATE
HOT DIPPED GALV



MOUNT ARRANGEMENT

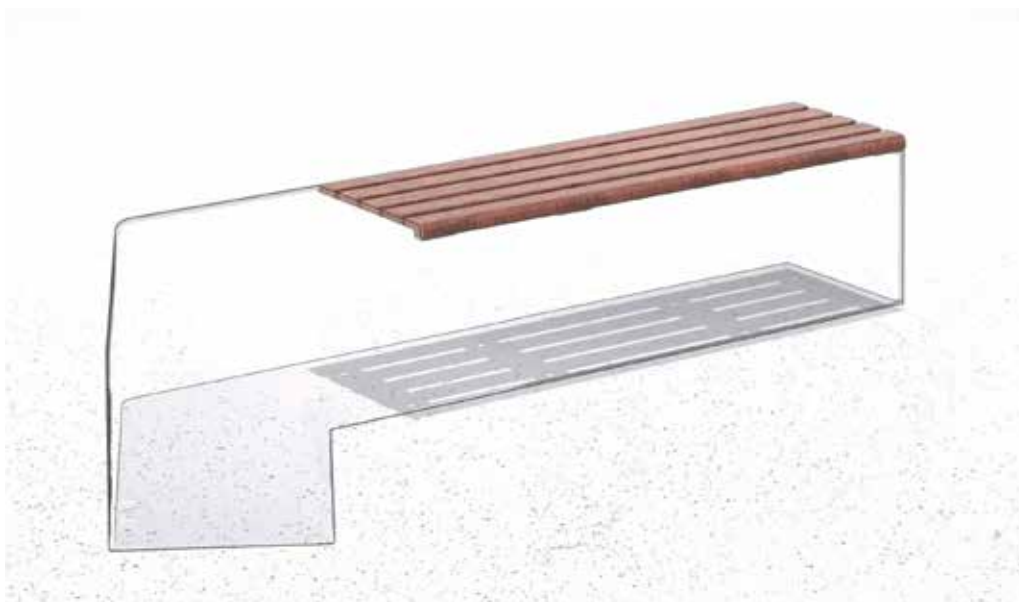


14 - DRINKING FOUNTAIN



URBAN PALETTE

17 - FLINDERS TIMBER BACKLESS BENCH STREET AND GARDEN



Designed By - Alexander Lotersztain, 2011

Body Length Variations

- 500mm (One Seater)
- 1000mm (Two Seater)
- 1500mm (Three Seater)
- 2000mm (Four Seater)

Bridging Element Only

Warranty and Care

See Warranty and Care Document for further information on specific details

- 12 Month Finish Warranty
- 5 Year Structural Warranty

Installation

- 4-8 x M8 Pan Head security bolts

		Frame Material			Slat Material		
		G316	-	-	Southern Spotted	Composite Timber	-
Primary Finish	Bead Blasted	<input checked="" type="radio"/>	<input type="radio"/>	<input type="radio"/>	<input type="radio"/>	<input type="radio"/>	<input type="radio"/>
	-	<input type="radio"/>	<input type="radio"/>	<input type="radio"/>	<input type="radio"/>	<input type="radio"/>	<input type="radio"/>
	Oiled	<input type="radio"/>	<input type="radio"/>	<input type="radio"/>	<input checked="" type="radio"/>	<input type="radio"/>	<input type="radio"/>
	-	<input type="radio"/>	<input type="radio"/>	<input type="radio"/>	<input type="radio"/>	<input type="radio"/>	<input type="radio"/>
	-	<input type="radio"/>	<input type="radio"/>	<input type="radio"/>	<input type="radio"/>	<input type="radio"/>	<input type="radio"/>
	-	<input type="radio"/>	<input type="radio"/>	<input type="radio"/>	<input type="radio"/>	<input type="radio"/>	<input type="radio"/>
Secondary	-	<input type="radio"/>	<input type="radio"/>	<input type="radio"/>	<input type="radio"/>	<input type="radio"/>	<input type="radio"/>
	-	<input type="radio"/>	<input type="radio"/>	<input type="radio"/>	<input type="radio"/>	<input type="radio"/>	<input type="radio"/>
	-	<input type="radio"/>	<input type="radio"/>	<input type="radio"/>	<input type="radio"/>	<input type="radio"/>	<input type="radio"/>
	-	<input type="radio"/>	<input type="radio"/>	<input type="radio"/>	<input type="radio"/>	<input type="radio"/>	<input type="radio"/>

470 (1'6") 500 (1'8")

One Seater
Weight - 9kg

Product Code - FLNT2-1

470 (1'6") 2000 (6'7")

Four Seater
Weight - 28kg

Product Code - FLNT2-4

470 (1'6") 1500 (4'1")

Three Seater
Weight - 22kg

Product Code - FLNT2-3

470 (1'6") 1000 (3'4")

Two Seater
Weight - 14kg

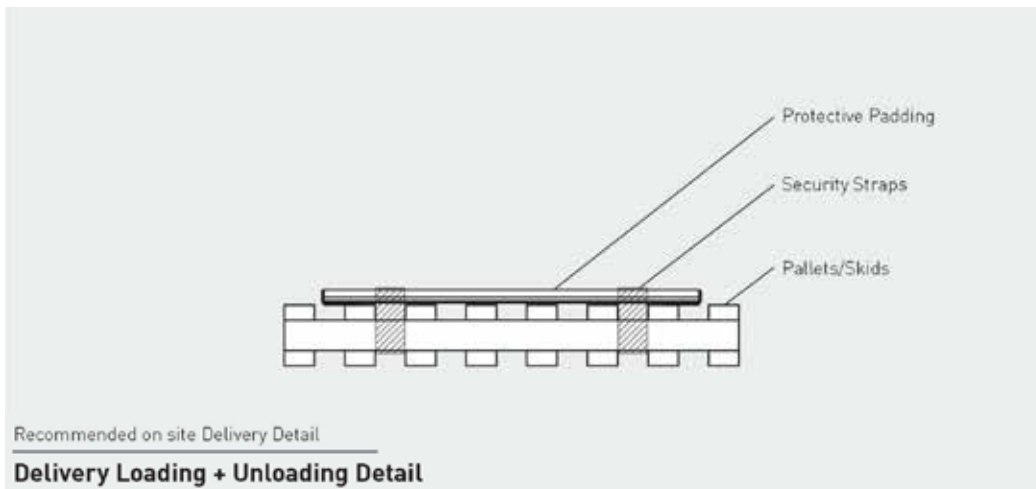
Product Code - FLNT2-2

Flinders Skate Stop
Single Side

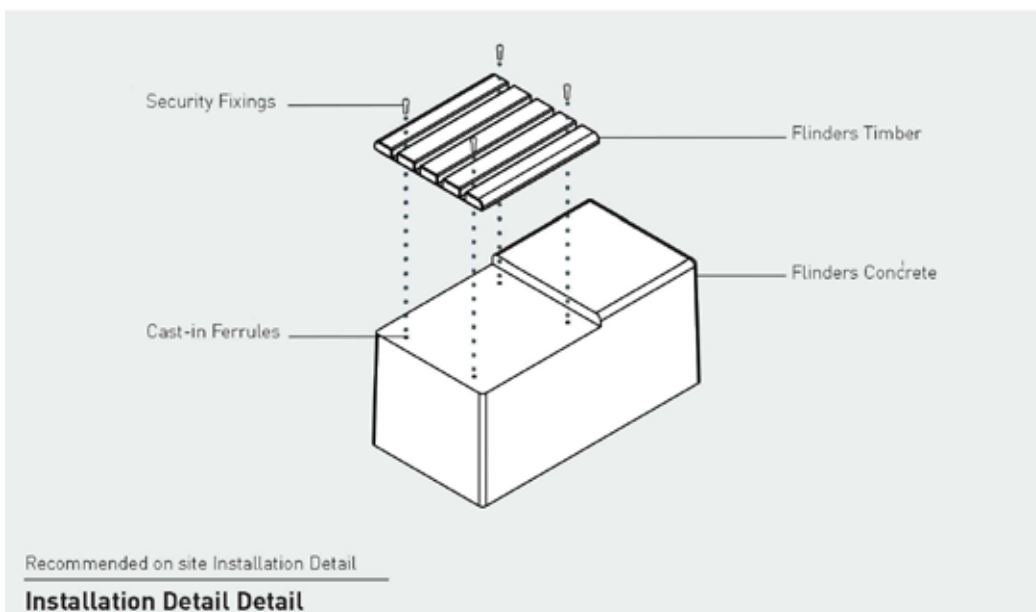
FLNT2-_-S1

Flinders Skate Stop
Double Side

FLNT2-_-S2



- All Flinders Products come securely strapped to Pallets or Skids
- Flinders products can be unloaded manually by hand (Recommended 2 person lifting per product)



- Mark hole locations using MDF Templates (Supplied by S+G)
- Install product onto concrete module using masonry/chemical anchors (By Others)



18 - CONCRETE BENCH - COMMERCIAL SYSTEMS AUSTRALIA



Family friendly

DIMENSIONS

Length: 1500mm | Width: 350mm | Height: 450mm

MATERIALS

The default and most popular colour of the concrete finish is in Charcoal, as shown in the above images.

Alternate concrete colours and aggregate finishes are also available. Please contact us for more details.

FINISHES

Standard Finish : Blasted

Alternate finishes, such as honed and polished surfaces also available.

FIXINGS

Bolt down fixing | Freestanding



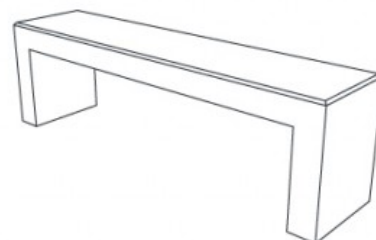
TOP VIEW



FRONT VIEW



END VIEW



PERSPECTIVE VIEW

19 - DIAMANTE CONCRETE BENCH - BOTTON AND GARDINER



Diamante Concrete Bench

The simple and ultra flexible Diamante Concrete Bench by Metalco is based on a "build your own" seating kit concept:

1. Select your concrete 'plane' shape and finish
2. Select your leg style and colour

The plane is available in a linear shape or curved to 45° or 15° degree sections. The metal leg can be an open sled or solid style.

Co-ordinate with Diamante Steel and Diamante Wood modules or the Diamante Planter to create your own customised seating solutions for your project.

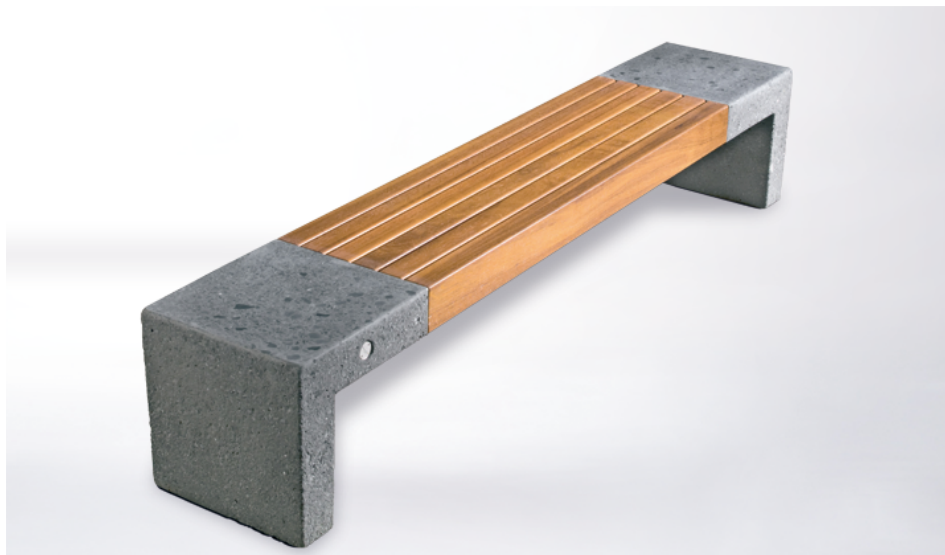
Product Details

Body	Precast concrete with a choice of granite or marble aggregate
Body Finish	Velluto finish with polished top
Legs	Powdercoated Steel
Powdercoat colours	Metalco standard colour range
Optional	Clear Anti-graffiti coating
Made in	Italy
Indicative lead time	12-14wks
Fixing	Loose or Surface fixed by others (Supplied with ferrules, eyebolts and caps)
Delivery	Lifting equipment required for receipt and placement of concrete product [Not supplied by B+G]
Assembly	Requires basic assembly of legs

Standard Product Code

- DIAM.PL - Diamante plane, linear
- DIAM.PL.15 - Diamante plane, curved 15°
- DIAM.PL.45 - Diamante plane, curved 45°
- DIAM.LE.SL - Diamante leg, open sled design
- DIAM.LE - Diamante leg, solid design

20 - GIADA BENCH - BOTTON AND GARDINER



Giada bench

Designed by Metalco.

The GIADA bench, available in two length options, is made up of a pair of granite or marble supports, dressed on the upper surface and sanded or bushhammered on the sides. The seat is wood slats treated with water-based varnishes, supported by a frame made of steel angled bars. The surface is protected by special satin opaque varnishes.

Product Details

Fixing	Free standing
Frame	Granite or marble with steel angled bars
Length	2407 or 1907mm
Seat	Timber slats
Slat Finish	Water based varnish
Made in	Italy
Lead time	12-14wks

Standard Product Code

GIAD.1907 Giada bench 1907mm
GIAD.2407 Giada bench 2407mm

21 - CANTILEVER BENCH - COMMERCIAL SYSTEMS AUSTRALIA



DIMENSIONS

Length: 1800mm | Width: 412mm | Height: 450mm

MATERIALS

Frame: Mild steel | 304 Stainless Steel
Battens: Australian Hardwood Timber (Class 1) | Enviroslat Recycled Battens

FINISHES

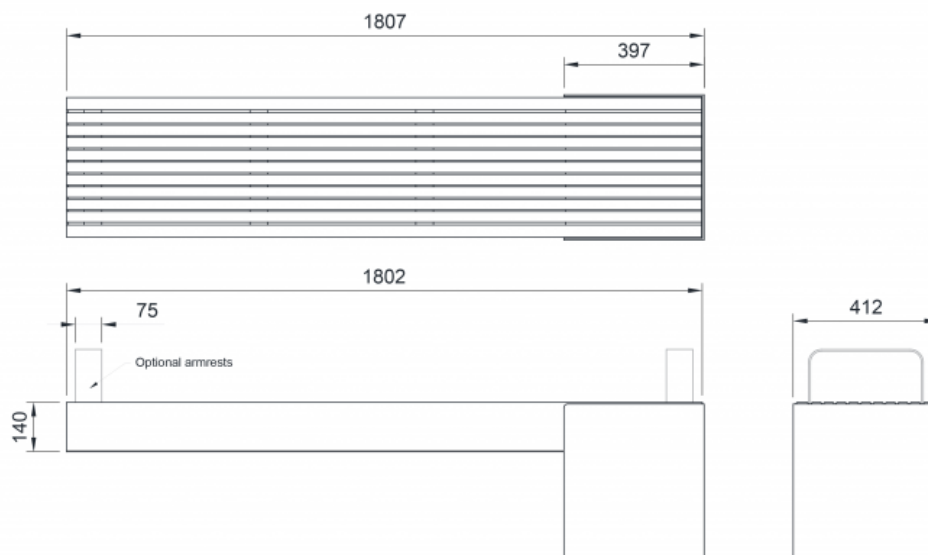
Frame: Powdercoated | Galvanised | Satin polished
Battens: Quantum Gold oil | Enviroslat woodgrain

FIXINGS

Bolt down fixing

OTHER OPTIONS

Custom modifications available



22 - HARRIS BENCH - BOTTON AND GARDINER



Harris Bench and Seat

Designed by Metalco.

Straight bench with solid wood seat and steel edging and supports. Seat available with a solid wood backrest. It can also be matched with other steel elements, for example planters. The modern and minimalist design, combined with the robustness of the components, makes the Harris ideal for any urban setting, even indoors.

Product Details

Fixing	Surface fixed
Frame	Steel edging supports
Length	Custom
Seat	Solid timber
Made in	Italy
Lead time	12-14wks

Standard Product Code

- HARR.2076 - 2076mmL bench
- HARR.3076 - 3076mmL bench
- HARR.S.2076 - 2076mmL Seat with single backrest
- HARR.S.3076 - 3076mmL Seat with single backrest
- HARR.S.3076.DB - 3076mmL Seat with double backrest

23 - HOBART BENCH SEAT - DRAFFIN

Product

Hobart Bench Seat
88794

Description

The Hobart weathering steel bench seat is heavy duty, yet has a modern urban feel. This low maintenance bench seat will give you many years of hassle free service, making it a perfect fit for areas such as country towns and national parks.



Specifications

Seat Height	450mm
Seat Width	520mm

Options

Length Options	1500mm, 1800mm, Custom
Frame Options	Galvanised, Powder Coated, Weathering Steel
Batten Options	40x30mm Timber, 60x40mm Enviroslat: Walnut, 60x40mm Enviroslat: Chocolate
Mounting Options	Bolt Down, Freestanding, Rag Bolts for In Ground

24 - SIT BOLLARD - STREET AND GARDEN

Designed By - Alexander Lotersztain / Street
+ Garden / GMG, 2007

Functional Variations

- Illumination Bollard

Pattern Options

- Custom patterns available

Installation Variations

- 2 x M10 masonry anchors with Security nuts (by others)

Warranty and Care

See Warranty and Care Document for further information on specific details

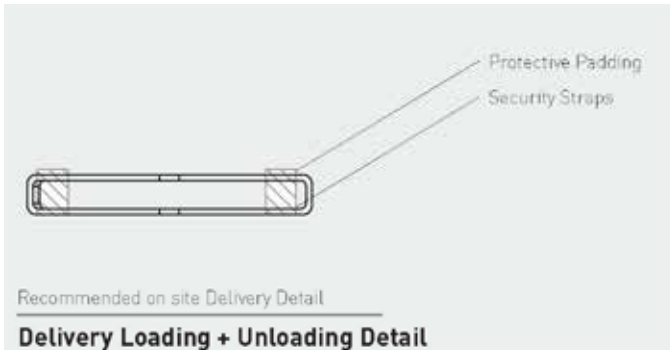
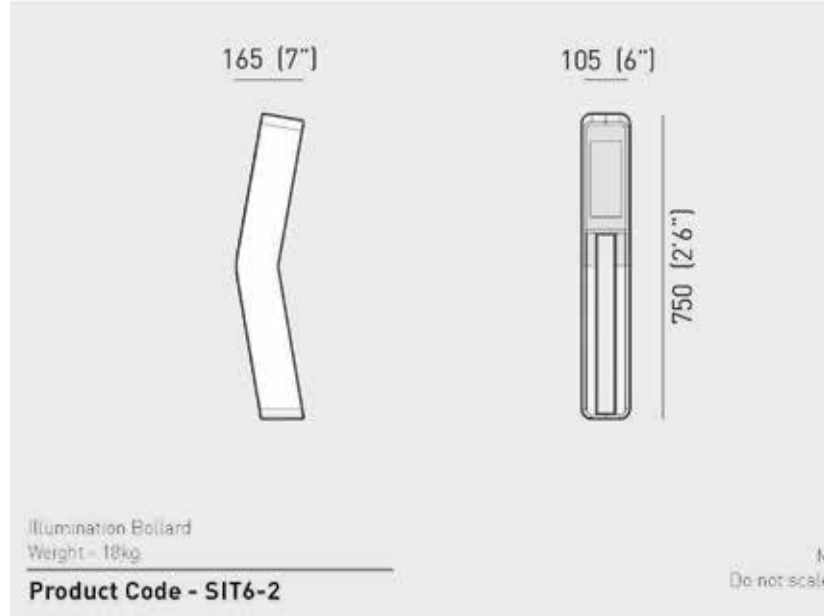
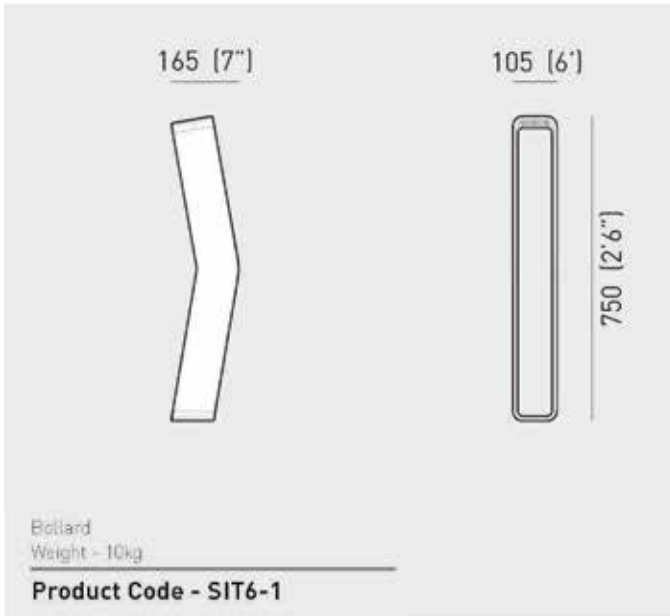
- 12 Month Finish Warranty
- 5 Year Structural Warranty



Designed and Manufactured in Australia.

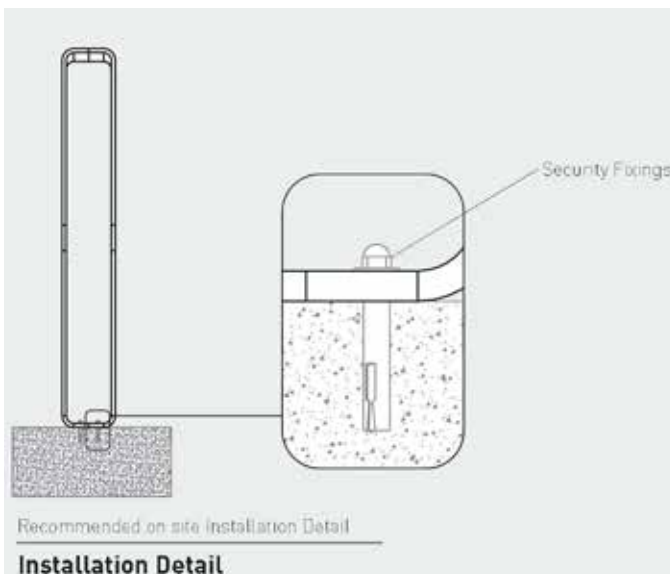
www.streetandgarden.com

		Frame Material			-		
		Mild Steel	G 304	G 316	-	-	-
Primary Finish	<input checked="" type="radio"/> Recommended Material/Finish	<input checked="" type="radio"/>	<input type="radio"/>	<input type="radio"/>	<input type="radio"/>	<input type="radio"/>	<input type="radio"/>
	<input type="radio"/> Optional Material/Finish	<input type="radio"/>	<input type="radio"/>	<input type="radio"/>	<input type="radio"/>	<input type="radio"/>	<input type="radio"/>
	Powder Coated	<input checked="" type="radio"/>	<input type="radio"/>	<input type="radio"/>	<input type="radio"/>	<input type="radio"/>	<input type="radio"/>
	-	<input type="radio"/>	<input type="radio"/>	<input type="radio"/>	<input type="radio"/>	<input type="radio"/>	<input type="radio"/>
	-	<input type="radio"/>	<input type="radio"/>	<input type="radio"/>	<input type="radio"/>	<input type="radio"/>	<input type="radio"/>
	-	<input type="radio"/>	<input type="radio"/>	<input type="radio"/>	<input type="radio"/>	<input type="radio"/>	<input type="radio"/>
	-	<input type="radio"/>	<input type="radio"/>	<input type="radio"/>	<input type="radio"/>	<input type="radio"/>	<input type="radio"/>
	-	<input type="radio"/>	<input type="radio"/>	<input type="radio"/>	<input type="radio"/>	<input type="radio"/>	<input type="radio"/>
Secondary	Protective Coat	<input type="radio"/>	<input type="radio"/>	<input type="radio"/>	<input type="radio"/>	<input type="radio"/>	<input type="radio"/>
	-	<input type="radio"/>	<input type="radio"/>	<input type="radio"/>	<input type="radio"/>	<input type="radio"/>	<input type="radio"/>
	-	<input type="radio"/>	<input type="radio"/>	<input type="radio"/>	<input type="radio"/>	<input type="radio"/>	<input type="radio"/>
	-	<input type="radio"/>	<input type="radio"/>	<input type="radio"/>	<input type="radio"/>	<input type="radio"/>	<input type="radio"/>



Delivery Loading + Unloading Detail

- All Sit products are supplied loose and freestanding, or on skids/pallets if required
- Product is secured with appropriate padding for protection during transit
- Sit products can be unloaded manually (Recommend 2 person lifting per product)



Installation Detail

- Use Sit Bollard to mark and drill fixing locations
- Use Security Fixings (Supplied by others) to fix Sit Bollard into slab

25 - PLAINS BOLLARD - COMMERCIAL SYSTEMS AUSTRALIA



DIMENSIONS

Domed Top Cap: Diameter: 100mm | Height: 1050mm

Flat Top Cap: Diameter: 100mm | Height: 1000mm

MATERIALS

304 Stainless steel | 316 Stainless steel

FINISHES

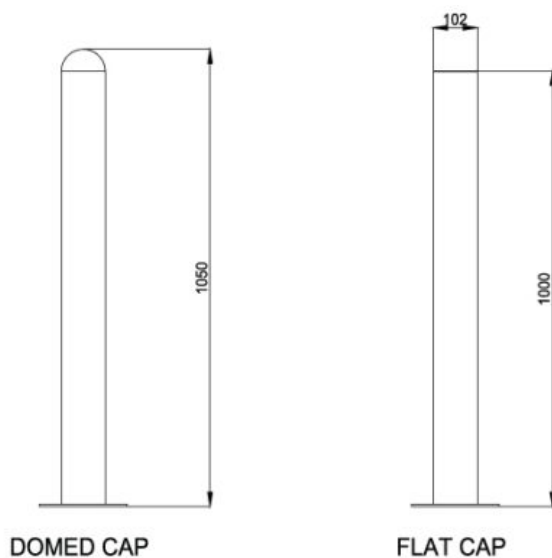
Satin polished stainless steel | Powdercoated Stainless Steel

FIXINGS

Bolt down fixing | Extended leg | Removable In-Ground Sleeve | Hinged/Fold down

OTHER OPTIONS

Reflective tape available
Custom modifications available



26 - FLIGHT DRINKING FOUNTAIN - STREET AND GARDEN



Designed By - Forrest Gillham, David Shaw & Surya Graf, 2013

Plumbing

- Water Inlet: 5/16 x 3/8 No.3 Male Connector
- Water Outlet: 40mm PVC Pipe

Installation

- 4 x M12 masonry anchors with Security nuts (by others)

Warranty and Care

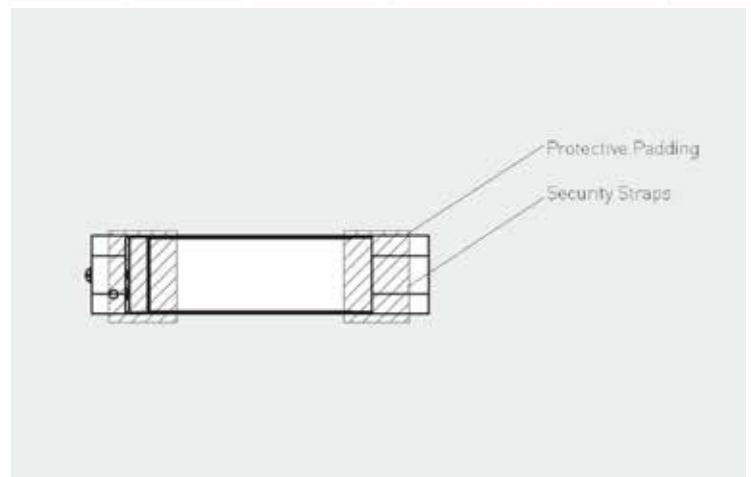
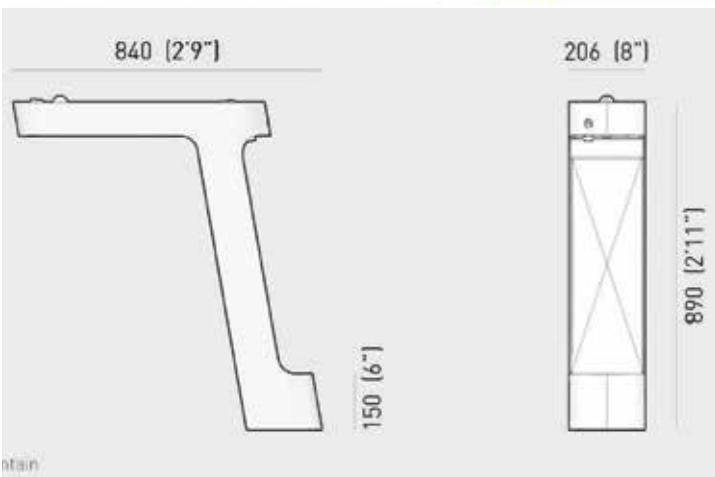
See Warranty and Care Document for further information on specific details

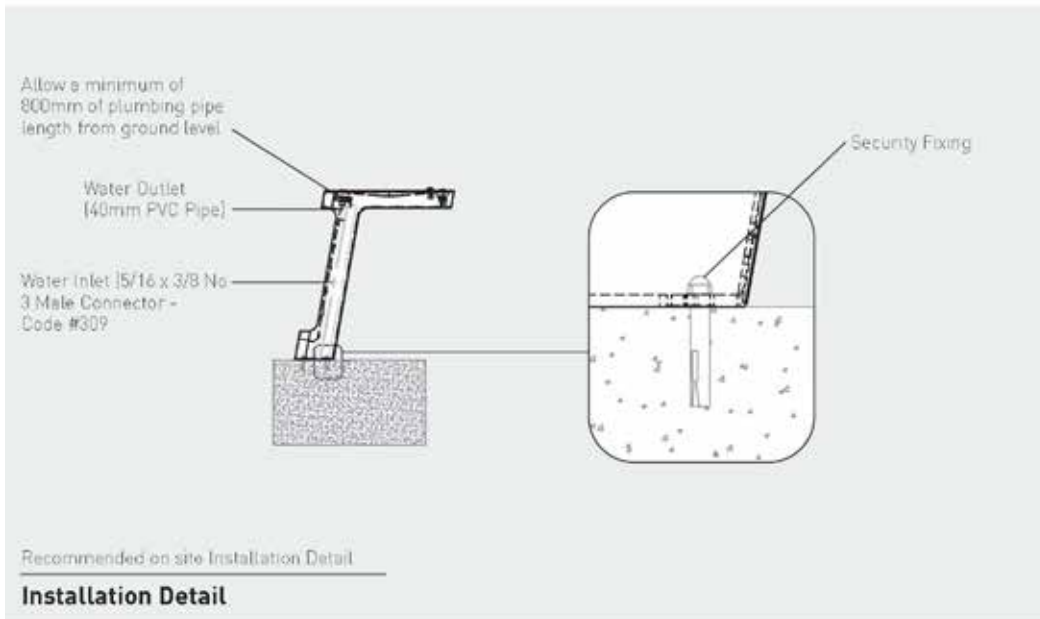
- 12 Month Finish Warranty
- 5 Year Structural Warranty

Designed and Manufactured in Australia.

www.streetandgarden.com

		Body			Water Dish		
		304	316	316L	304	316	316L
Primary Finish	Recommended Material/Finish	<input checked="" type="radio"/>	<input type="radio"/>	<input type="radio"/>	<input type="radio"/>	<input checked="" type="radio"/>	<input type="radio"/>
	Optional Material/Finish	<input type="radio"/>	<input type="radio"/>	<input type="radio"/>	<input type="radio"/>	<input type="radio"/>	<input type="radio"/>
	Powder Coated	<input checked="" type="radio"/>	<input type="radio"/>	<input type="radio"/>	<input type="radio"/>	<input type="radio"/>	<input type="radio"/>
	Bead Blasted	<input type="radio"/>	<input type="radio"/>	<input type="radio"/>	<input checked="" type="radio"/>	<input type="radio"/>	<input type="radio"/>
Secondary	Protective Coat	<input type="radio"/>	<input type="radio"/>	<input type="radio"/>	<input type="radio"/>	<input type="radio"/>	<input type="radio"/>
		<input type="radio"/>	<input type="radio"/>	<input type="radio"/>	<input type="radio"/>	<input type="radio"/>	<input type="radio"/>
		<input type="radio"/>	<input type="radio"/>	<input type="radio"/>	<input type="radio"/>	<input type="radio"/>	<input type="radio"/>
		<input type="radio"/>	<input type="radio"/>	<input type="radio"/>	<input type="radio"/>	<input type="radio"/>	<input type="radio"/>





Installation Detail

- Use Flight Drinking Fountain to mark and drill fixing locations
- Use Security Fixings (Supplied by Others) to fix Flight Drinking Fountain into Slab

27 - ARIA SEAT - STREET FURNITURE AUSTRALIA

A contemporary furniture system. Modern and modular, make Aria work for your space. Relax while charging your mobile or laptop.

MCODE:
CMA1

DIMENSIONS:
535mm W x 790mm H x various lengths
21 1/16" W x 31 1/8" H x various lengths

Select one box per category to specify your product.

LEGS AND MOUNTING:

Legs may require basic assembly on-site.

- 12 Aria Splay
 - Surface Fixed
 - Subsurface Fixed
 - Freestanding
- 13 Aria Pedestal
 - Surface Fixed
 - Subsurface Fixed

FRAME AND PANEL COLOUR:

- Sable Brilliance (medium grey)
- Sable Bass (dark grey)
- Sable Core Ten
- Textura
 - Ironstone
 - Deep Ocean
 - Jasper
 - Woodland Grey
 - Dark Bronze
 - Monument
 - Night Sky (black)
- Other (see colour chart)

BATTEN:

Street Furniture Australia uses sustainable timber from certified managed forests. Timber requires oiling every three months.

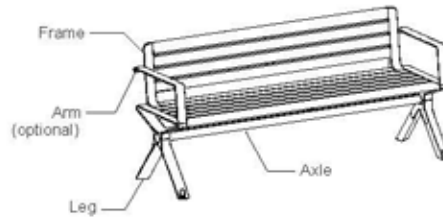
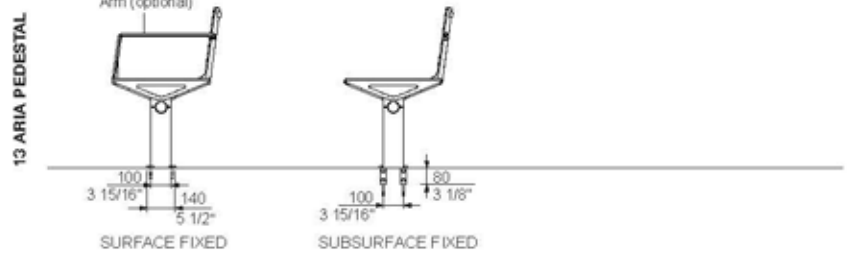
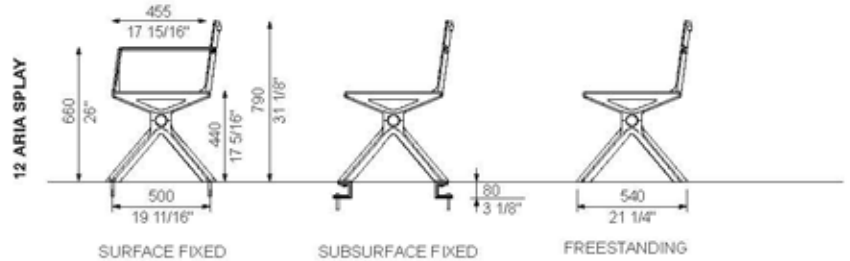
- Eco-certified Jarrah Hardwood, Oiled (PEFC)
- Aluminium Anodised
- Aluminium Powder Coated (see colour chart)
- Woodgrain
 - Bush Cherry
 - Spotted Gum
 - Beach Oak (Grey)
- Tailored

ARMS:

This seat is DDA-friendly when specified with arms.

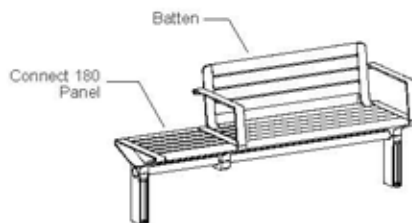
- None
- 2 end arms, in same finish as frame
- Tailored

Some options incur additional fees and lead time.



STANDARD

3-seater with Splay legs and arms
3S



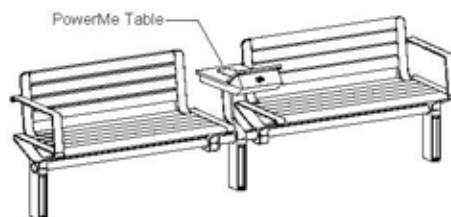
CONNECT 180 (Seat/Bench Combo)

2-seater, Connect 180, with Pedestal legs and arms
2S-C180



CONNECT 180 (Seat/Bench Combo)

2-seater, Connect 180, 2-seater bench with Pedestal legs and arms
2S-C180-2B



POWERME TABLE

2 x 2-seater, PowerMe™ centred, with Pedestal legs and arms
2S-PM-2S

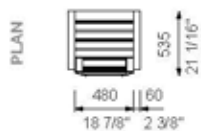
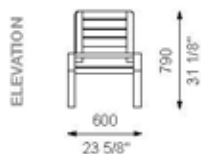
PRE-CONFIGURATIONS:

Lengths that exceed 2100mm or 82 1/4" will be delivered in parts for assembly on-site.

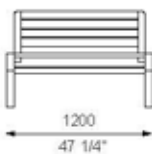
- | | | |
|--------------|--------------------------------|--------------------------|
| 1 : 1-seater | C180 : Connect with 180° Panel | S : Seat (with backrest) |
| 2 : 2-seater | C45 : Connect with 45° Panel | B : Bench (no backrest) |
| 3 : 3-seater | C90 : Connect with 90° Panel | R : Reversed |
| | | PM: PowerMe™ Table |

Standard

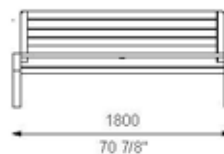
□ 1S



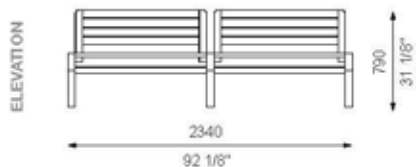
□ 2S



□ 3S

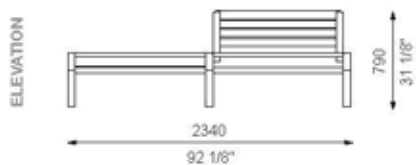


□ 2S-2S

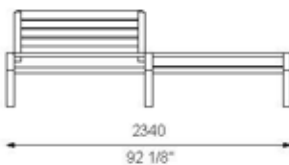


Standard (Seat and Bench Combo)

□ 2B-2S



□ 2S-2B



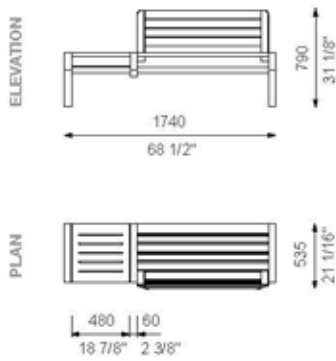
PRE-CONFIGURATIONS:

Lengths that exceed 2100mm or 82 1/4" will be delivered in parts for assembly on-site.

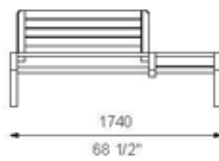
- | | | |
|--------------|--------------------------------|--------------------------|
| 1 : 1-seater | C180 : Connect with 180° Panel | S : Seat (with backrest) |
| 2 : 2-seater | C45 : Connect with 45° Panel | B : Bench (no backrest) |
| 3 : 3-seater | C90 : Connect with 90° Panel | R : Reversed |
| | | PM: PowerMe™ Table |

Connect 180

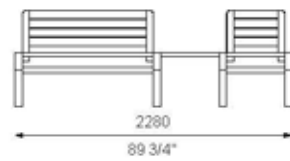
□ C180-2S



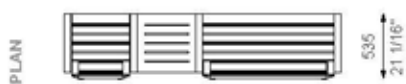
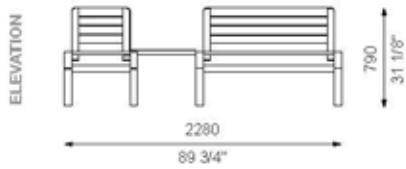
□ 2S-C180



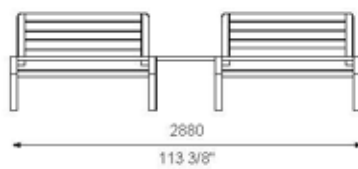
□ 2S-C180-1S



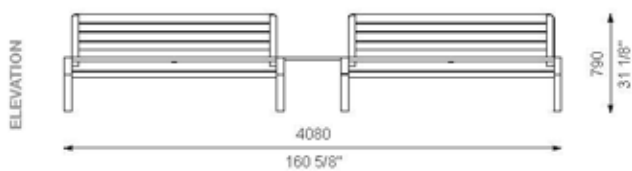
□ 1S-C180-2S



□ 2S-C180-2S



□ 3S-C180-3S



PRE-CONFIGURATIONS:

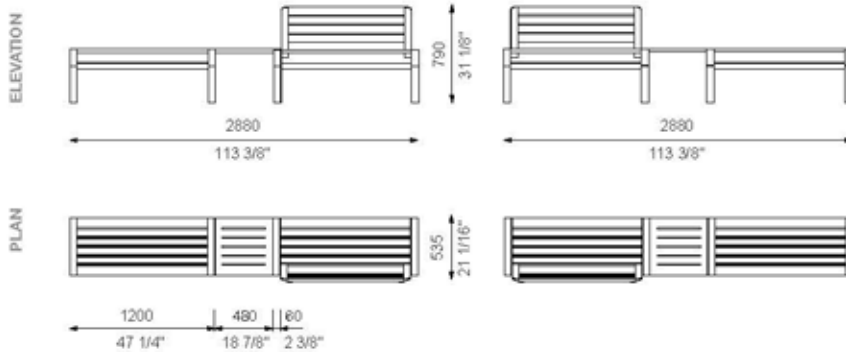
Lengths that exceed 2100mm or 82 1/4" will be delivered in parts for assembly on-site.

- | | | |
|--------------|--------------------------------|--------------------------|
| 1 : 1-seater | C180 : Connect with 180° Panel | S : Seat (with backrest) |
| 2 : 2-seater | C45 : Connect with 45° Panel | B : Bench (no backrest) |
| 3 : 3-seater | C90 : Connect with 90° Panel | R : Reversed |
| | | PM: PowerMe™ Table |

Connect 180 (Seat and Bench Combo)

□ 2B-C180-2S

□ 2S-C180-2B

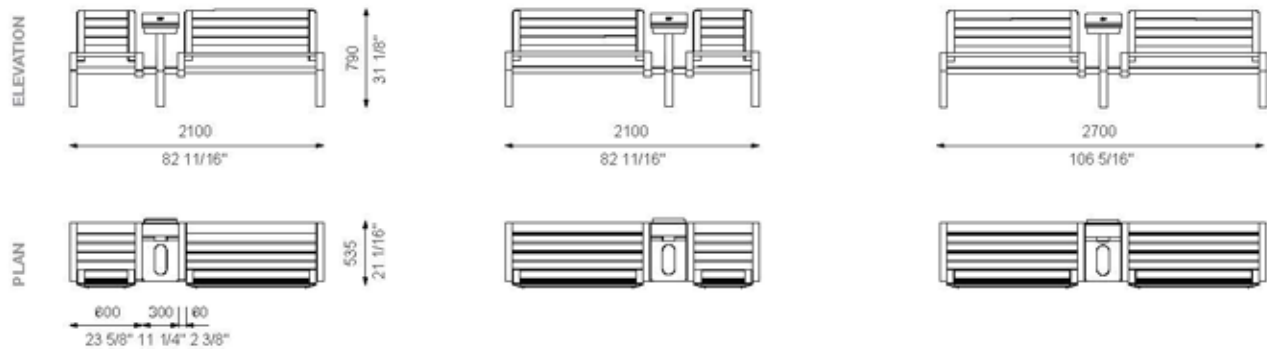


PowerMe™ Table also see *PowerMe Table technical sheet*

□ 1S-PM-2S

□ 2S-PM-1S

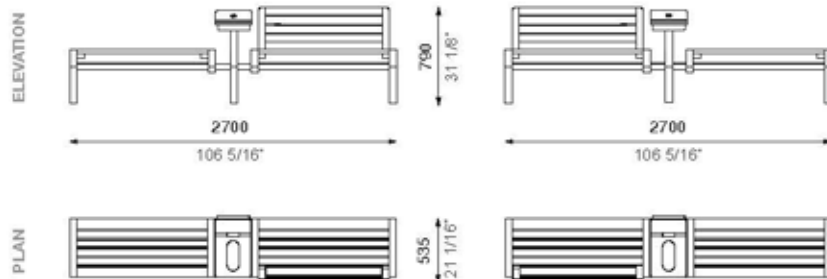
□ 2S-PM-2S



PowerMe™ Table (Seat and Bench Combo) also see *PowerMe Table technical sheet*

□ 2B-PM-2S

□ 2S-PM-2B



Need more information?

For a brochure, image gallery, CAD downloads, installation and maintenance guides, go to: streetfurniture.com/au/product/aria-seat/

Quick links:

- streetfurniture.com/au/colour-chart/
- streetfurniture.com/au/warranty/
- streetfurniture.com/au/parts-promise/

28- CANTILEVER SEAT - COMMERCIAL SYSTEMS AUSTRALIA



Family friendly



DDA DDA

DIMENSIONS

Length: 1800mm | Width: 412mm | Height: 792mm

MATERIALS

Frame: Mild steel | 304 Stainless Steel | 316 Stainless Steel
Battens: Australian Hardwood Timber (Class 1) | Enviroslat Recycled Battens

FINISHES

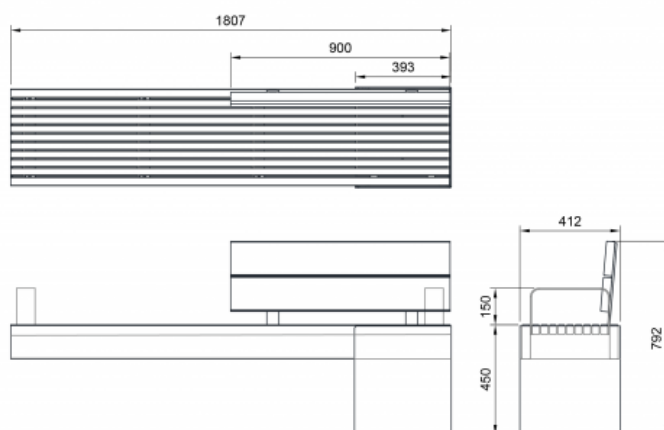
Frame: Powdercoated | Galvanised | Satin polished
Battens: Quantum Gold oil | Enviroslat woodgrain

FIXINGS

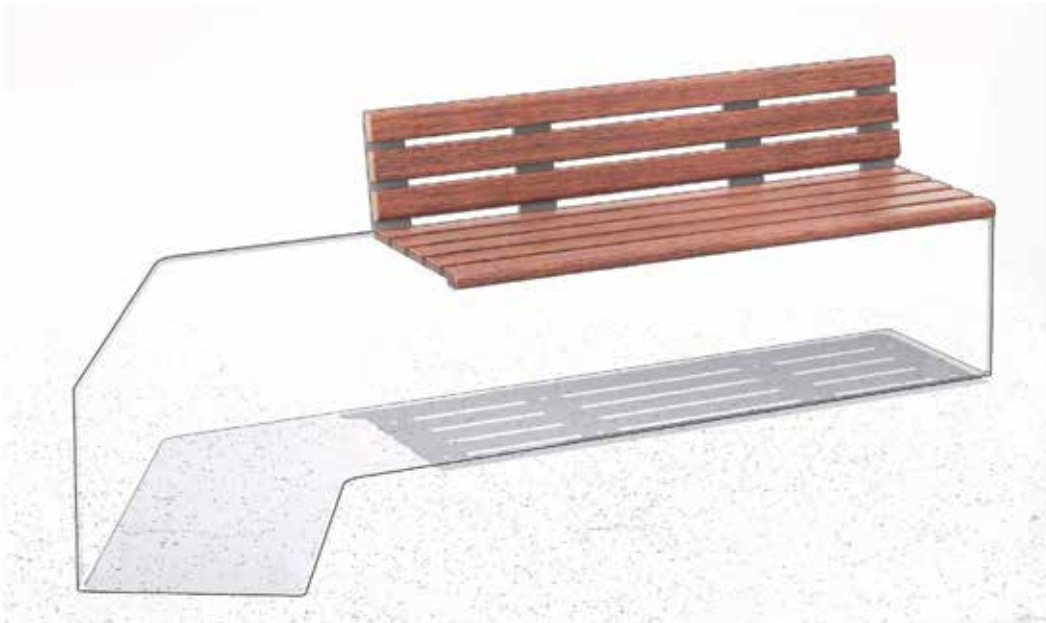
Bolt down fixing

OTHER OPTIONS

Custom modifications available



29 - FLINDERS TIMBER BACKED BENCH - STREET AND GARDEN



Designed By - Alexander Lotersztain, 2011

Body Length Variations

- 500mm (One Seater)
- 1000mm (Two Seater)
- 1500mm (Three Seater)
- 2000mm (Four Seater)

Bridging Element Only

Accessories

- Armrest

Installation

- 4-8 x M8 Pan Head Security Bolts

Warranty and Care

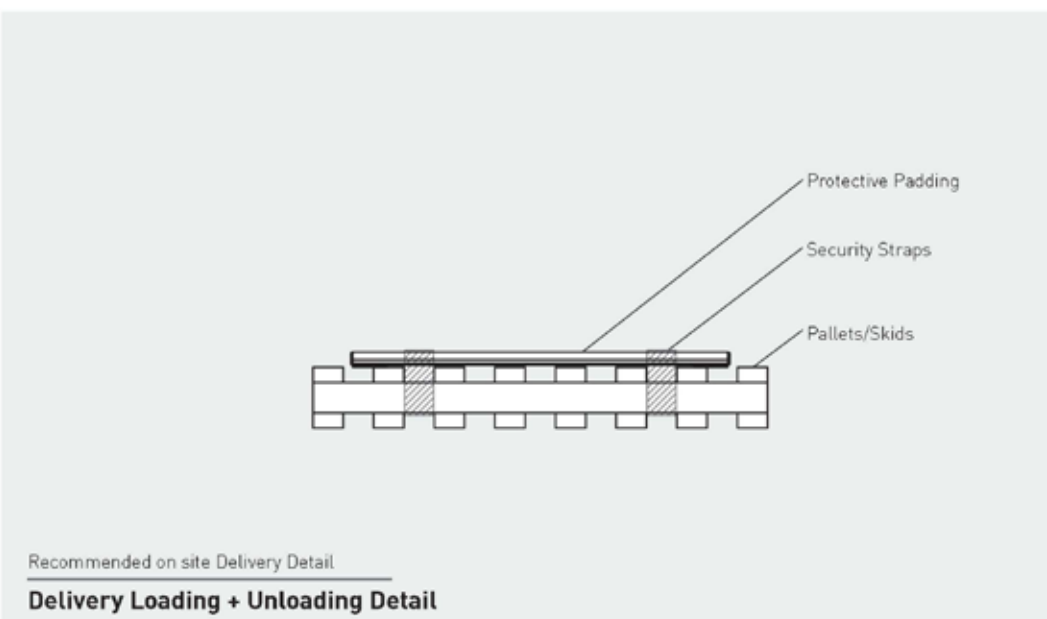
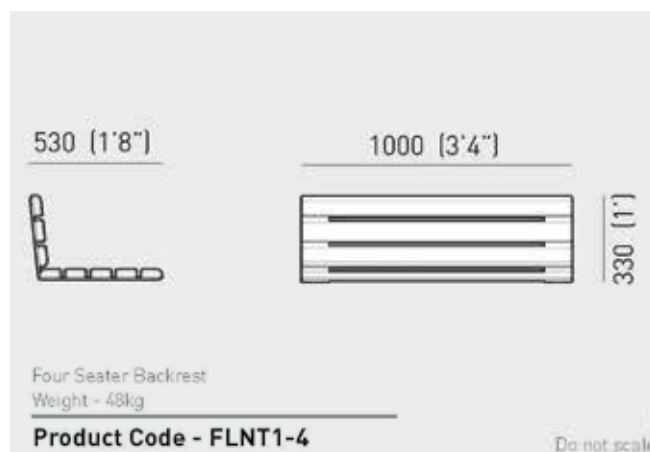
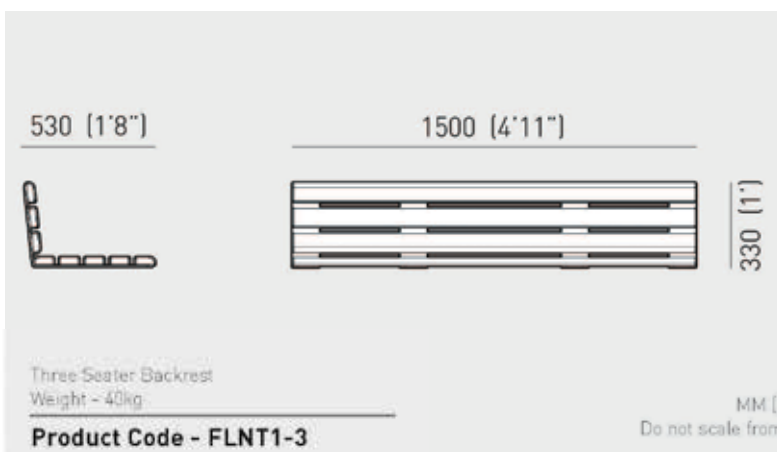
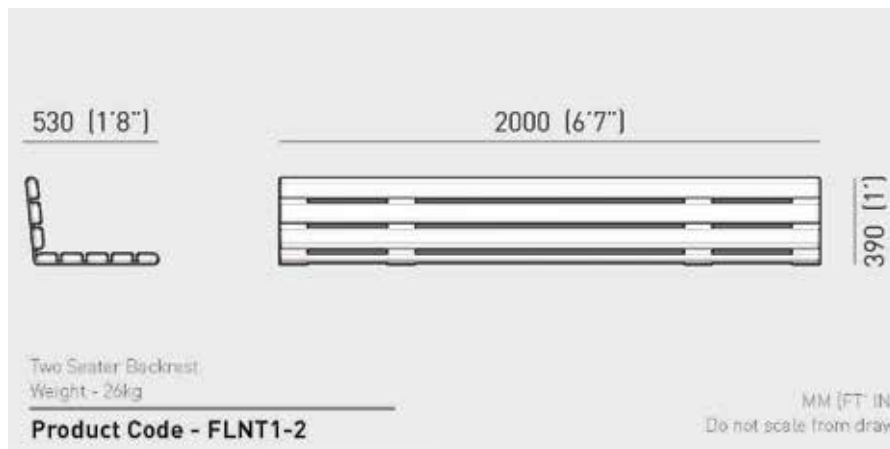
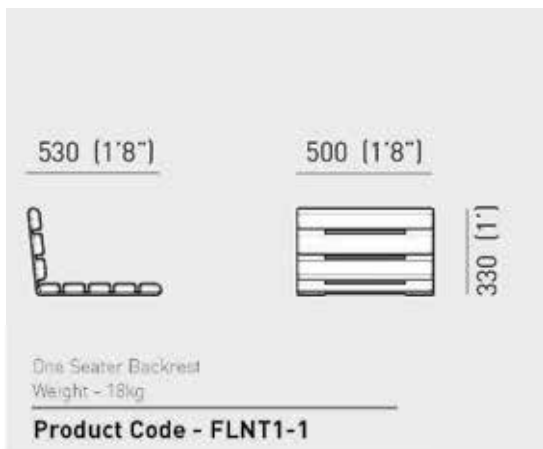
See Warranty and Care Document for further information on specific details

- 12 Month Finish Warranty
- 5 Year Structural Warranty

Designed and Manufactured in Australia.

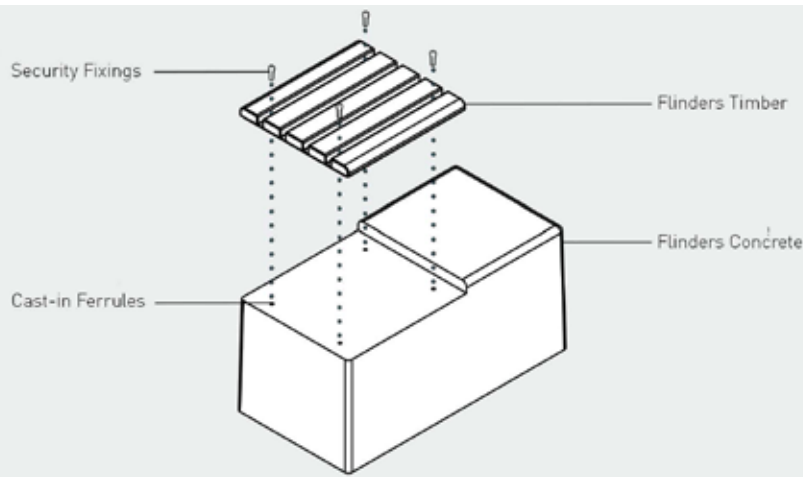
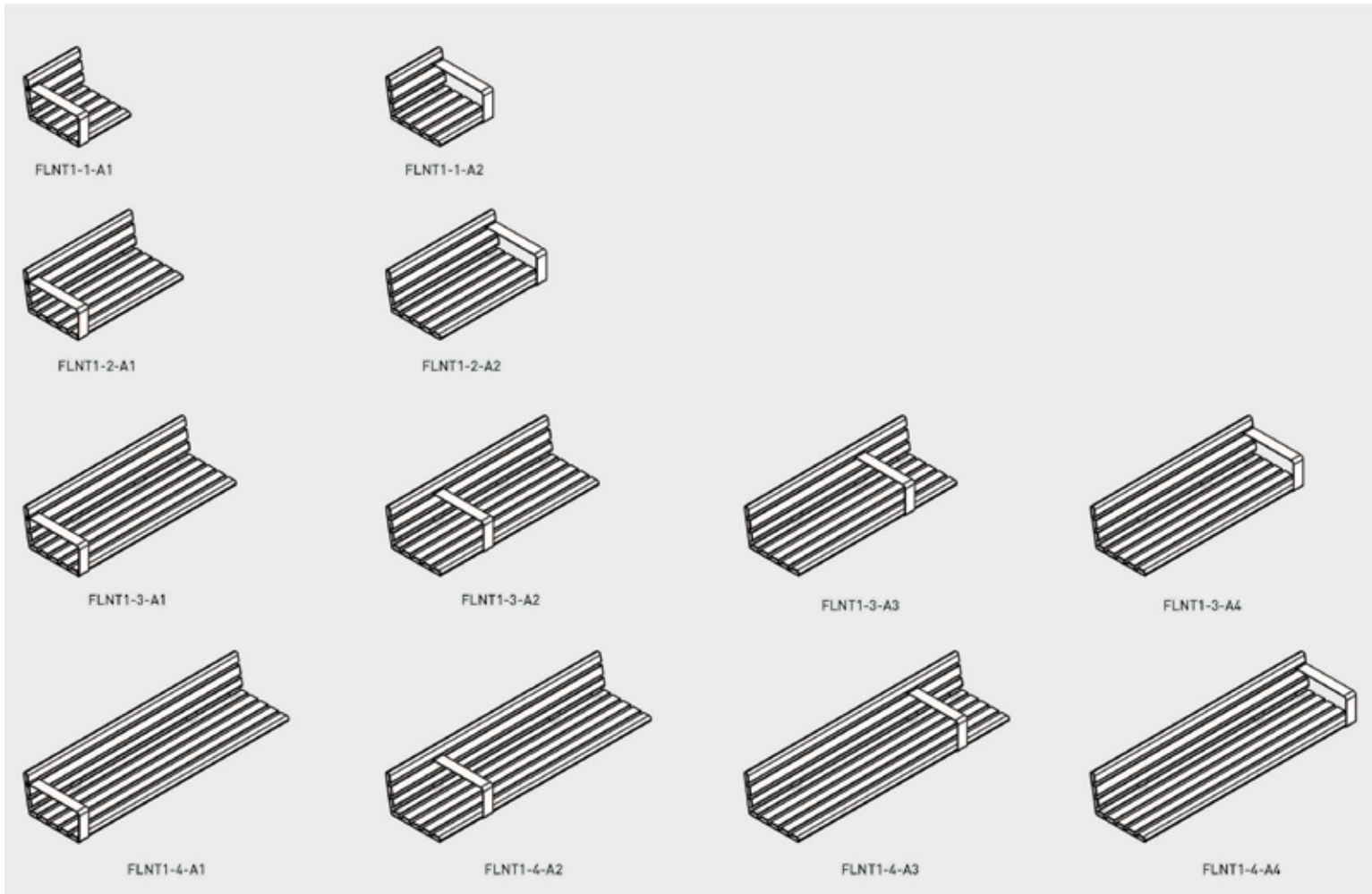
www.streetandgarden.com

		Frame Material			Slat Material		
		G316	-	-	Southern Spotted	Composite Timber	-
Primary Finish	Recommended Material/Finish	<input checked="" type="radio"/>	<input type="radio"/>	<input type="radio"/>	<input type="radio"/>	<input type="radio"/>	<input type="radio"/>
	Optional Material/Finish	<input type="radio"/>	<input type="radio"/>	<input type="radio"/>	<input type="radio"/>	<input type="radio"/>	<input type="radio"/>
	Bead Blasted	<input checked="" type="radio"/>	<input type="radio"/>	<input type="radio"/>	<input type="radio"/>	<input type="radio"/>	<input type="radio"/>
	Oil	<input type="radio"/>	<input type="radio"/>	<input type="radio"/>	<input checked="" type="radio"/>	<input type="radio"/>	<input type="radio"/>
	Paint	<input type="radio"/>	<input type="radio"/>	<input type="radio"/>	<input type="radio"/>	<input type="radio"/>	<input type="radio"/>
	Other	<input type="radio"/>	<input type="radio"/>	<input type="radio"/>	<input type="radio"/>	<input type="radio"/>	<input type="radio"/>
Secondary	Recommended Material/Finish	<input type="radio"/>	<input type="radio"/>	<input type="radio"/>	<input type="radio"/>	<input type="radio"/>	<input type="radio"/>
	Optional Material/Finish	<input type="radio"/>	<input type="radio"/>	<input type="radio"/>	<input type="radio"/>	<input type="radio"/>	<input type="radio"/>
	Bead Blasted	<input type="radio"/>	<input type="radio"/>	<input type="radio"/>	<input type="radio"/>	<input type="radio"/>	<input type="radio"/>
	Oil	<input type="radio"/>	<input type="radio"/>	<input type="radio"/>	<input type="radio"/>	<input type="radio"/>	<input type="radio"/>
	Paint	<input type="radio"/>	<input type="radio"/>	<input type="radio"/>	<input type="radio"/>	<input type="radio"/>	<input type="radio"/>
	Other	<input type="radio"/>	<input type="radio"/>	<input type="radio"/>	<input type="radio"/>	<input type="radio"/>	<input type="radio"/>



Delivery Loading + Unloading Detail

- All Flinders products come securely strapped to Pallets or Skids
- Flinders products can be unloaded manually by hand (Recommended 2 person lifting per product)



Recommended on site Installation Detail

Installation Detail

Installation Detail

- Mark hole locations using MDF Templates [Supplied by S+G]
- Drill Ø28mm holes approx. 100mm deep into Concrete Module
- Bolt Fixing Tray onto concrete module
- Place Timber Seat on Fixing Trays and bolt Timber Seat onto Fixings Trays

30 - HOBART SEAT - DRAFFIN

Product

Hobart Seat with Back
88795-1

Description

The Hobart seat with back is heavy duty, yet has a contemporary urban feel. This low maintenance seat will give you years of hassle free service, making it a perfect fit for those more remote places such as national parks and country areas.



Specifications

Seat Height	450mm
Back Height	794mm
Width	577mm
Length	1800mm
Mounting Options	Bolt Down

Options

Batten Options	40x30mm Timber, 40x30mm Enviroslat: Walnut, 40x30 Enviroslat: Chocolate
Frame Options	Galvanised, Powder Coated, Weathering Steel

31 - DRAPE SHELTER - STREET AND GARDEN



Designed By - Surya Graf & Forrest Gillham,
2015

Shelter Length Variations

- 4000mm
- 5000mm
- 6000mm

Installation

- 4 x Rag Bolt Cage Supplied by S+G

Warranty and Care

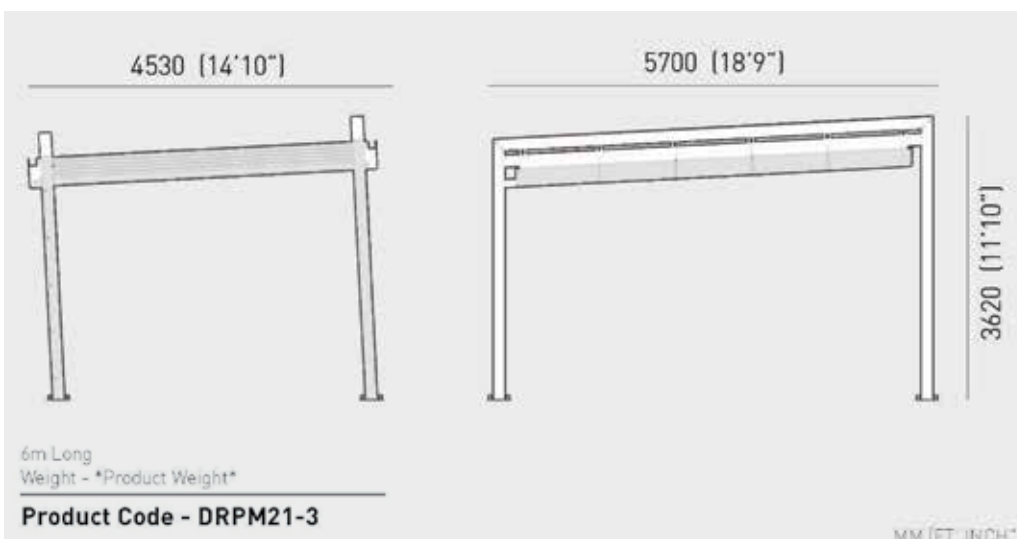
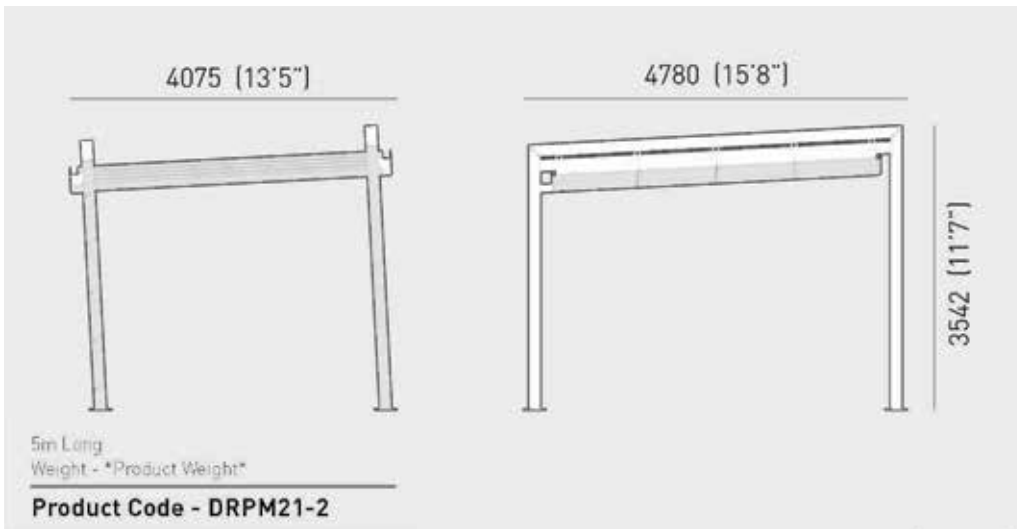
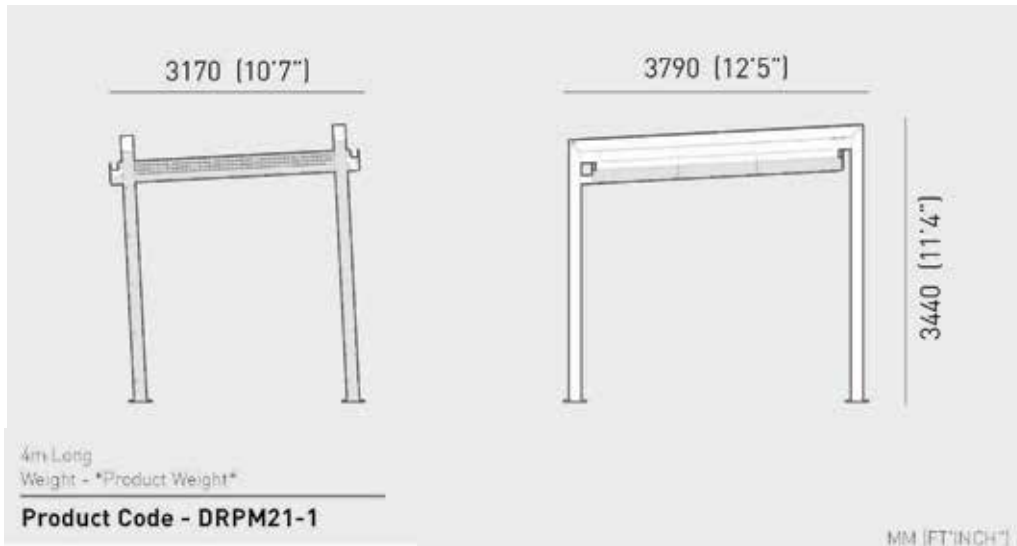
See Warranty and Care Document for further information on specific details

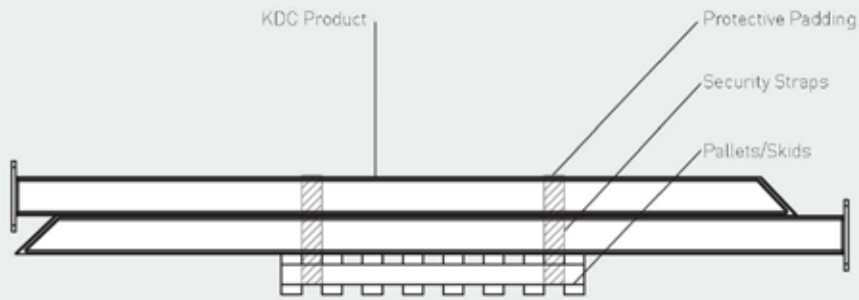
- 12 Month Finish Warranty
- 5 Year Structural Warranty

Designed and Manufactured in Australia.

www.streetandgarden.com

		Frame Material			Panel Material		
		Mild Steel	-	-	Mild Steel	-	-
Primary Finish	Recommended Material/Finish	<input type="radio"/>	<input type="radio"/>	<input type="radio"/>	<input type="radio"/>	<input type="radio"/>	<input type="radio"/>
	Optional Material/Finish	<input checked="" type="radio"/>	<input type="radio"/>	<input type="radio"/>	<input checked="" type="radio"/>	<input type="radio"/>	<input type="radio"/>
	Powder Coat	<input type="radio"/>	<input type="radio"/>	<input type="radio"/>	<input type="radio"/>	<input type="radio"/>	<input type="radio"/>
	Hot Dip Galvanised	<input checked="" type="radio"/>	<input type="radio"/>	<input type="radio"/>	<input checked="" type="radio"/>	<input type="radio"/>	<input type="radio"/>
	-	<input type="radio"/>	<input type="radio"/>	<input type="radio"/>	<input type="radio"/>	<input type="radio"/>	<input type="radio"/>
	-	<input type="radio"/>	<input type="radio"/>	<input type="radio"/>	<input type="radio"/>	<input type="radio"/>	<input type="radio"/>
Secondary	Anti-Grffiti	<input type="radio"/>	<input type="radio"/>	<input type="radio"/>	<input type="radio"/>	<input type="radio"/>	<input type="radio"/>
	-	<input type="radio"/>	<input type="radio"/>	<input type="radio"/>	<input type="radio"/>	<input type="radio"/>	<input type="radio"/>
	-	<input type="radio"/>	<input type="radio"/>	<input type="radio"/>	<input type="radio"/>	<input type="radio"/>	<input type="radio"/>
	-	<input type="radio"/>	<input type="radio"/>	<input type="radio"/>	<input type="radio"/>	<input type="radio"/>	<input type="radio"/>



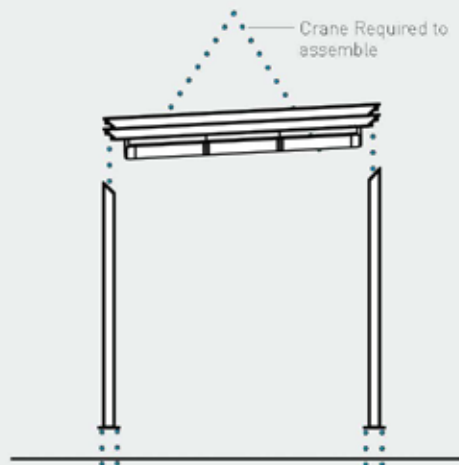


Recommended on site Delivery Detail

Delivery Loading + Unloading Detail

Delivery Loading + Unloading Detail

- Drape Shelter will be delivered on site attached to pallets or Skids
- Shelter will be delivered in KDC (Knock-Down-Condition) in multiple sections



Recommended on site Installation Detail

Installation Detail

Installation Detail

- Shelter comes delivered on site KDC (Knock-Down-Condition)
- Shelter will require crane to assemble in place on site

32 - KUBOS SHELTER - COMMERCIAL SYSTEMS AUSTRALIA



Family friendly



DDA

DIMENSIONS

Length: 4500mm | Depth: 4500mm | Height: 3700mm

MATERIALS

Frame: Mild steel
Roof: Colourbond corrugated sheet
Battens: Australian Hardwood Timber (Class 1) | Enviroslat Recycled Battens

FINISHES

Frame: Galvanised | Galvanised – Two pack polyurethane paint
Battens: Quantum Gold Oil | Enviroslat woodgrain

Note: Any standard Dulux colour available for painted frames. [Click here for Dulux Colour Chart.](#)

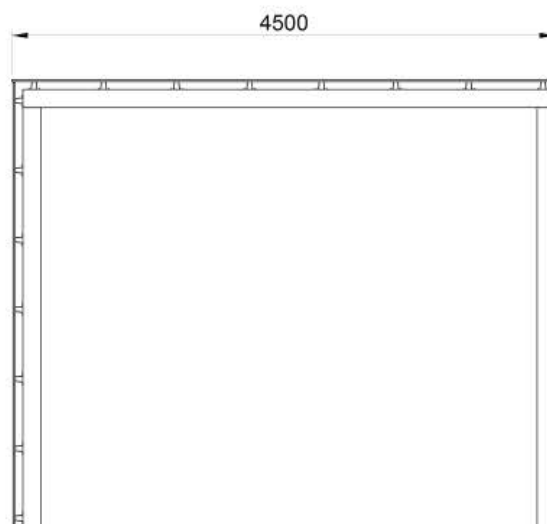
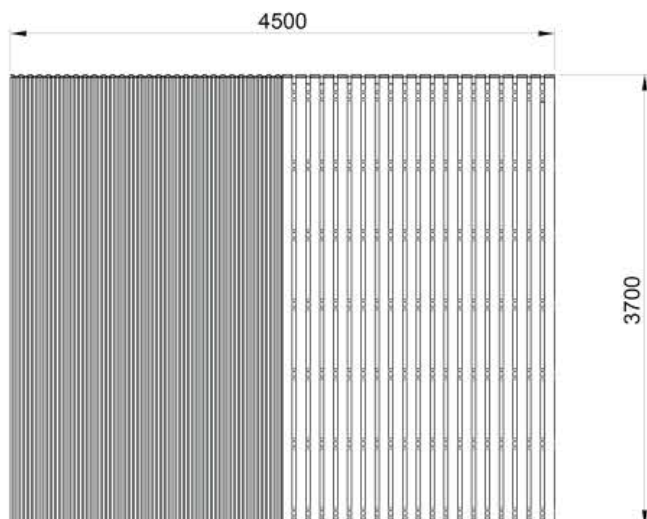
Eternity, Zeus and Intensity ranges incur additional charges

FIXINGS

Specific to context

OTHER OPTIONS

Custom modifications available, including custom sizes, concealed drainage, wind protecting side walls and wall mounted CSA seating





HINTERLAND PALETTE 33 - HOBART BENCH - DRAFFIN

Product

Hobart Bench Seat
88794

Description

The Hobart weathering steel bench seat is heavy duty, yet has a modern urban feel. This low maintenance bench seat will give you many years of hassle free service, making it a perfect fit for areas such as country towns and national parks.



Specifications

Seat Height	450mm
Seat Width	520mm

Options

Length Options	1500mm, 1800mm, Custom
Frame Options	Galvanised, Powder Coated, Weathering Steel
Batten Options	40x30mm Timber, 60x40mm Enviroslat: Walnut, 60x40mm Enviroslat: Chocolate
Mounting Options	Bolt Down, Freestanding, Rag Bolts for In Ground

34 - RECYCLED TIMBER BENCH - COMMERCIAL SYSTEMS AUSTRALIA



Family
friendly

DIMENSIONS

The size of this bench depends on the type of timber and where it is being recycled from.

The timber beams for this furniture are salvaged from old power lines, railway sleepers or even old buildings. The character of this timber gives each piece of furniture its own unique character and style. No two benches will be exactly the same.

Contact us to discuss the types and sizes of timber available!

Generally the benches would be 2000mm long, 500mm wide and 450mm high.

MATERIALS

Frame: Mild steel
Battens: Australian Hardwood Timber

FINISHES

Frame: Powdercoated | Galvanised
Battens: Quantum gold oil | Custom Oil | Bare

FIXINGS

Bolt down fixing | Extended Leg

OTHER OPTIONS

Custom modifications available

35 - WHARF BOLLARD - COMMERCIAL SYSTEMS AUSTRALIA



DIMENSIONS

Width: 190mm | Depth: 90mm | Height: 1100mm

MATERIALS

Base: Mild steel
Bollard: Cypress Pine

FINISHES

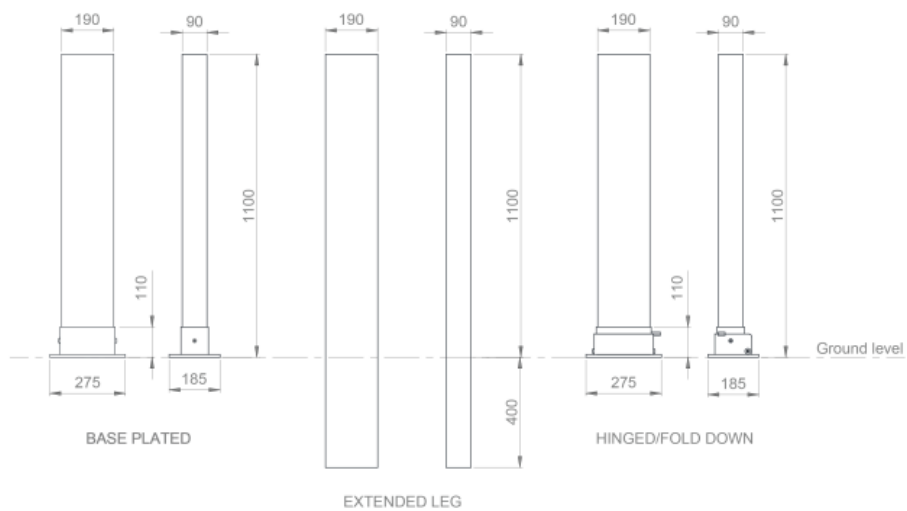
Frame: Powdercoated | Galvanised
Battens: Quantum Gold oil

FIXINGS

Bolt down fixing | Extended leg | Removable In-Ground Sleeve | Hinged/Fold down

OTHER OPTIONS

Custom modifications available



36 - ARIA SEAT - STREET FURNITURE AUSTRALIA

A contemporary furniture system. Modern and modular, make Aria work for your space. Relax while charging your mobile or laptop.

MCODE:
CMA1

DIMENSIONS:
535mm W x 790mm H x various lengths
21 1/16" W x 31 1/8" H x various lengths

Select one box per category to specify your product.

LEGS AND MOUNTING:

Legs may require basic assembly on-site.

- 12 Aria Splay
 - Surface Fixed
 - Subsurface Fixed
 - Freestanding
- 13 Aria Pedestal
 - Surface Fixed
 - Subsurface Fixed

FRAME AND PANEL COLOUR:

- Sable Brilliance (medium grey)
- Sable Bass (dark grey)
- Sable Core Ten
- Textura
 - Ironstone
 - Deep Ocean
 - Jasper
 - Woodland Grey
 - Dark Bronze
 - Monument
 - Night Sky (black)
- Other (see colour chart)

BATTEN:

Street Furniture Australia uses sustainable timber from certified managed forests. Timber requires oiling every three months.

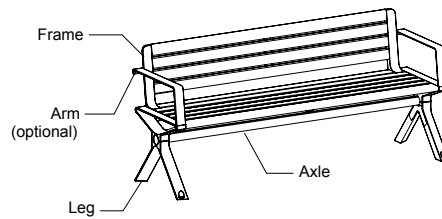
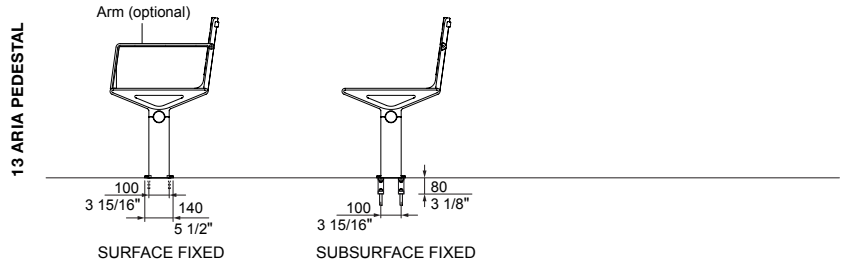
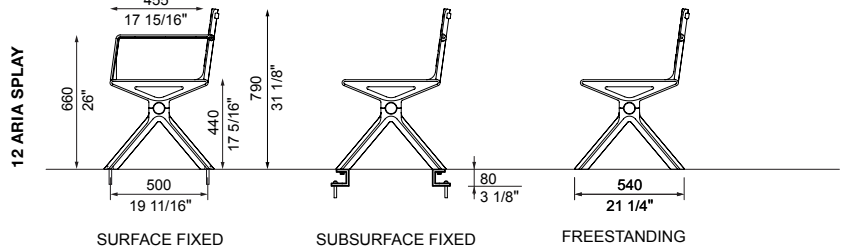
- Eco-certified Jarrah Hardwood, Oiled (PEFC)
- Aluminium Anodised
- Aluminium Powder Coated (see colour chart)
- Woodgrain
 - Bush Cherry
 - Spotted Gum
 - Beach Oak (Grey)
- Tailored

ARMS:

This seat is DDA-friendly when specified with arms.

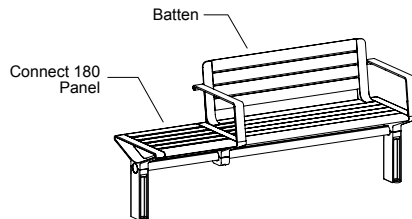
- None
- 2 end arms, in same finish as frame
- Tailored

Some options incur additional fees and lead time.



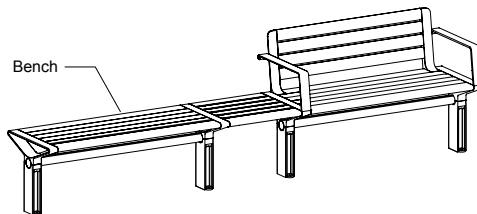
STANDARD

3-seater with Splay legs and arms
3S



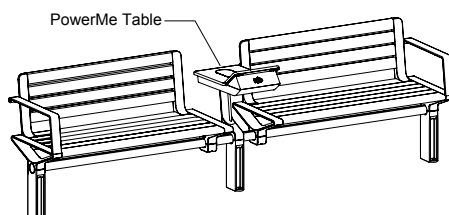
CONNECT 180 (Seat/Bench Combo)

2-seater, Connect 180, with Pedestal legs and arms
2S-C180



CONNECT 180 (Seat/Bench Combo)

2-seater, Connect 180, 2-seater bench with Pedestal legs and arms
2S-C180-2B



POWERME TABLE

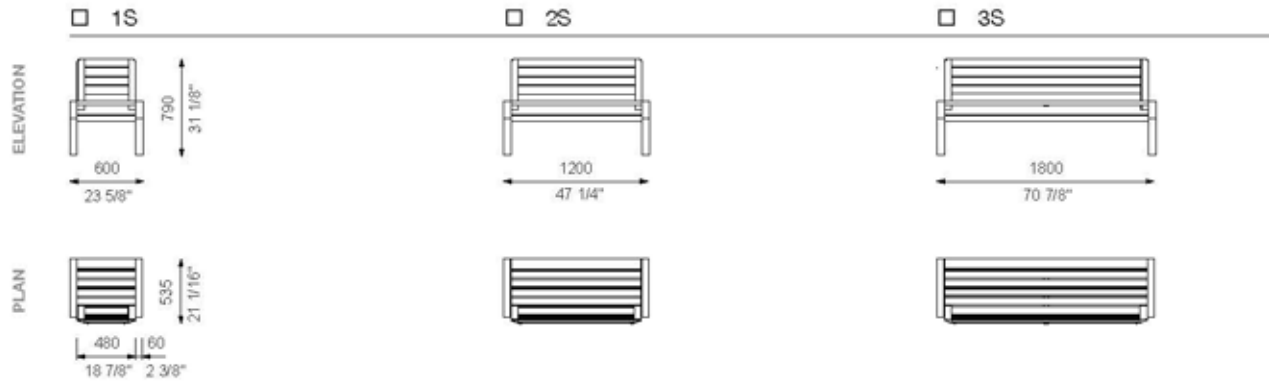
2 x 2-seater, PowerMe™ centred, with Pedestal legs and arms
2S-PM-2S

PRE-CONFIGURATIONS:

Lengths that exceed 2100mm or 82 1/4" will be delivered in parts for assembly on-site.

- | | | |
|--------------|--------------------------------|--------------------------|
| 1 : 1-seater | C180 : Connect with 180° Panel | S : Seat (with backrest) |
| 2 : 2-seater | C45 : Connect with 45° Panel | B : Bench (no backrest) |
| 3 : 3-seater | C90 : Connect with 90° Panel | R : Reversed |
| | | PM: PowerMe™ Table |

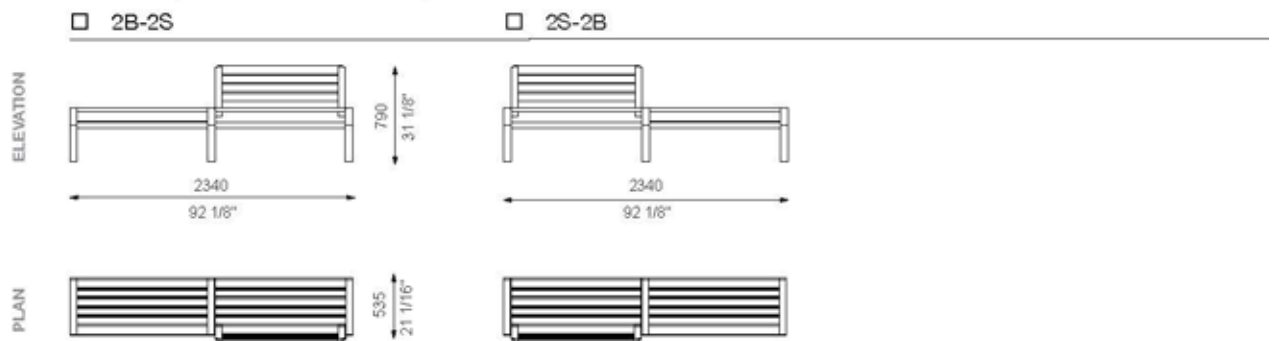
Standard



□ 2S-2S



Standard (Seat and Bench Combo)



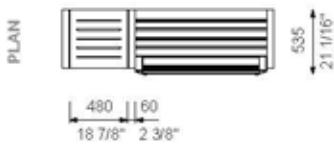
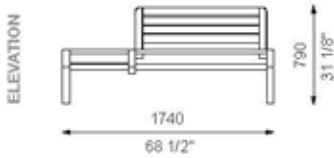
PRE-CONFIGURATIONS:

Lengths that exceed 2100mm or 82 1/4" will be delivered in parts for assembly on-site.

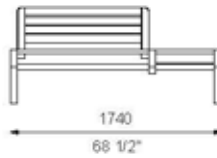
- | | | |
|--------------|---------------------------------------|---------------------------------|
| 1 : 1-seater | C180 : Connect with 180° Panel | S : Seat (with backrest) |
| 2 : 2-seater | C45 : Connect with 45° Panel | B : Bench (no backrest) |
| 3 : 3-seater | C90 : Connect with 90° Panel | R : Reversed |
| | | PM : PowerMe™ Table |

Connect 180

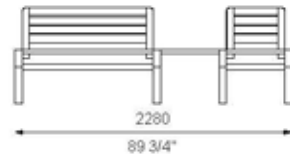
□ C180-2S



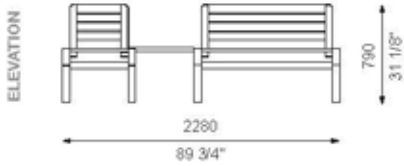
□ 2S-C180



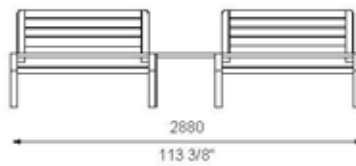
□ 2S-C180-1S



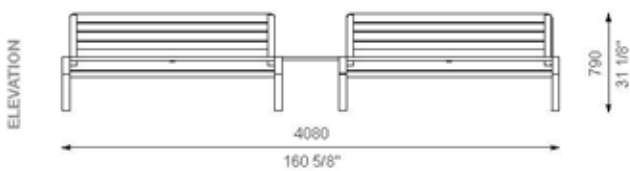
□ 1S-C180-2S



□ 2S-C180-2S



□ 3S-C180-3S



PRE-CONFIGURATIONS:

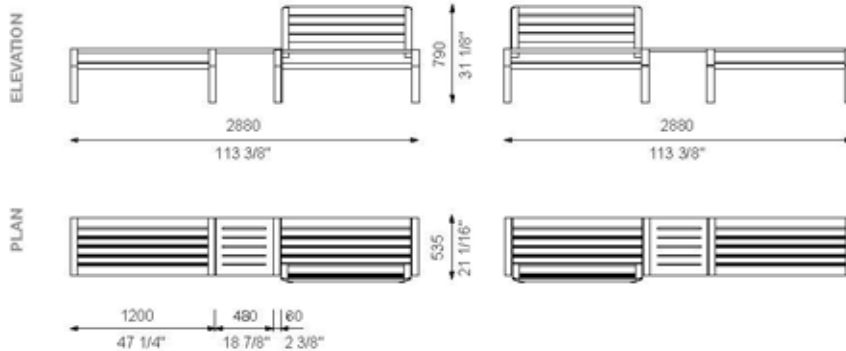
Lengths that exceed 2100mm or 82 1/4" will be delivered in parts for assembly on-site.

- | | | |
|--------------|--------------------------------|--------------------------|
| 1 : 1-seater | C180 : Connect with 180° Panel | S : Seat (with backrest) |
| 2 : 2-seater | C45 : Connect with 45° Panel | B : Bench (no backrest) |
| 3 : 3-seater | C90 : Connect with 90° Panel | R : Reversed |
| | | PM: PowerMe™ Table |

Connect 180 (Seat and Bench Combo)

□ 2B-C180-2S

□ 2S-C180-2B

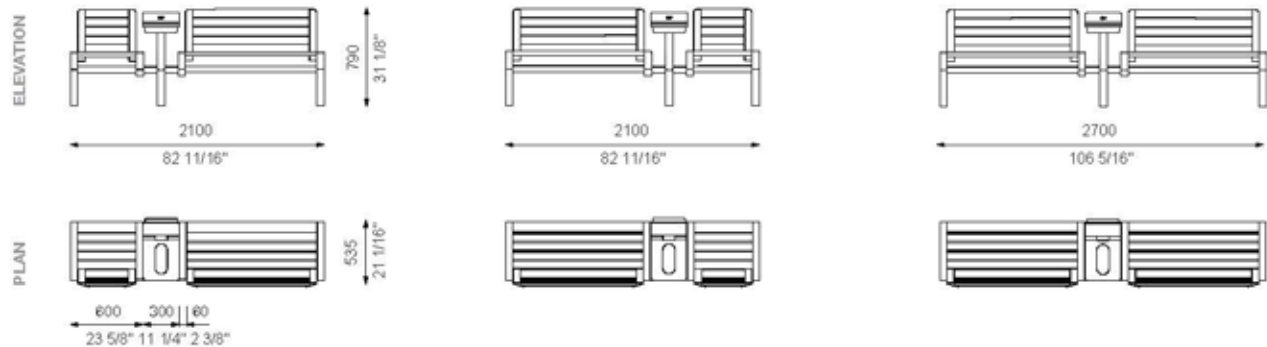


PowerMe™ Table also see *PowerMe Table technical sheet*

□ 1S-PM-2S

□ 2S-PM-1S

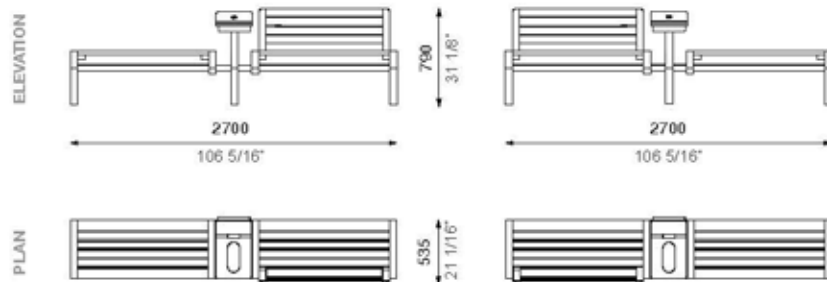
□ 2S-PM-2S



PowerMe™ Table (Seat and Bench Combo) also see *PowerMe Table technical sheet*

□ 2B-PM-2S

□ 2S-PM-2B



Need more information?

For a brochure, image gallery, CAD downloads, installation and maintenance guides, go to:

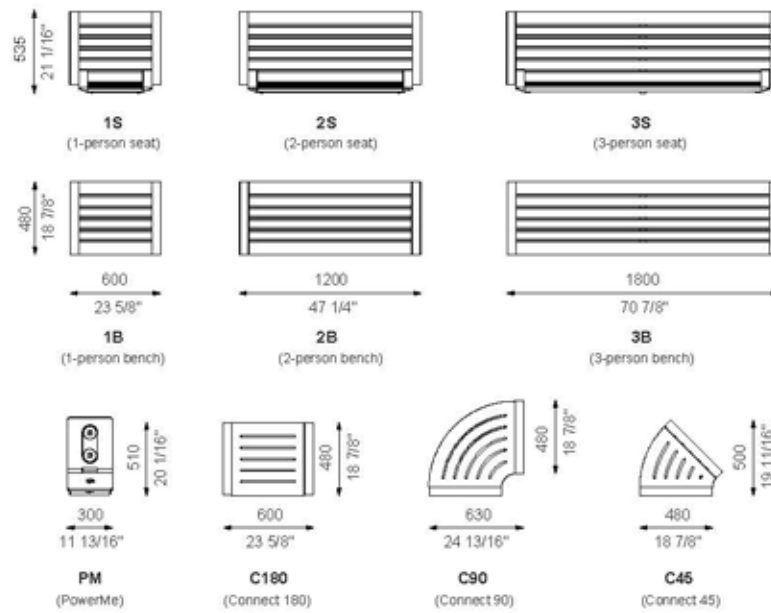
streetfurniture.com/au/product/aria-seat/

Quick links:

streetfurniture.com/au/colour-chart/

streetfurniture.com/au/warranty/

streetfurniture.com/au/parts-promise/

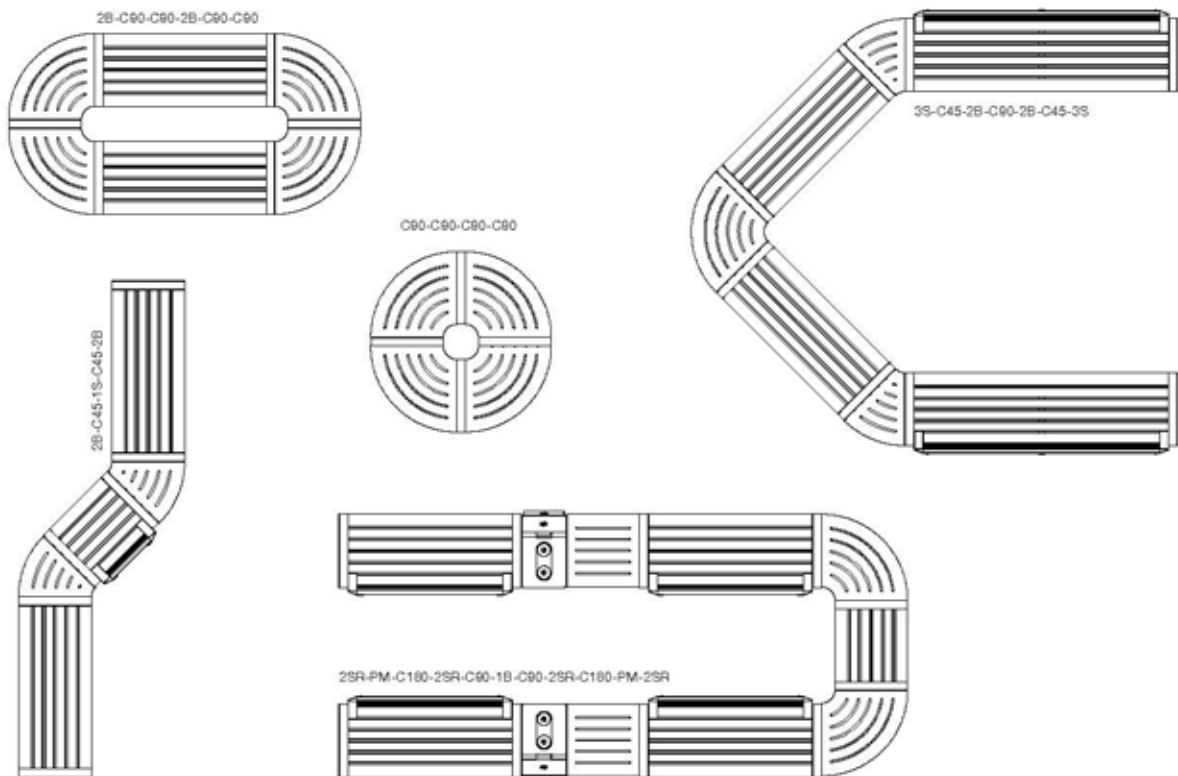


ARIA MODULES

CONFIGURATION EXAMPLES:

Lengths that exceed 2100mm or 82 1/4" will be delivered in parts for assembly on-site.

- 1 : 1-seater
- 2 : 2-seater
- 3 : 3-seater
- C180** : Connect with 180° Panel
- C45** : Connect with 45° Panel
- C90** : Connect with 90° Panel
- S** : Seat (with backrest)
- B** : Bench (no backrest)
- R** : Reversed
- PM**: PowerMe™ Table



37 - HOBART SEAT WITH BACK - DRAFFIN

Product

Hobart Seat with Back
88795-1

Description

The Hobart seat with back is heavy duty, yet has a contemporary urban feel. This low maintenance seat will give you years of hassle free service, making it a perfect fit for those more remote places such as national parks and country areas.



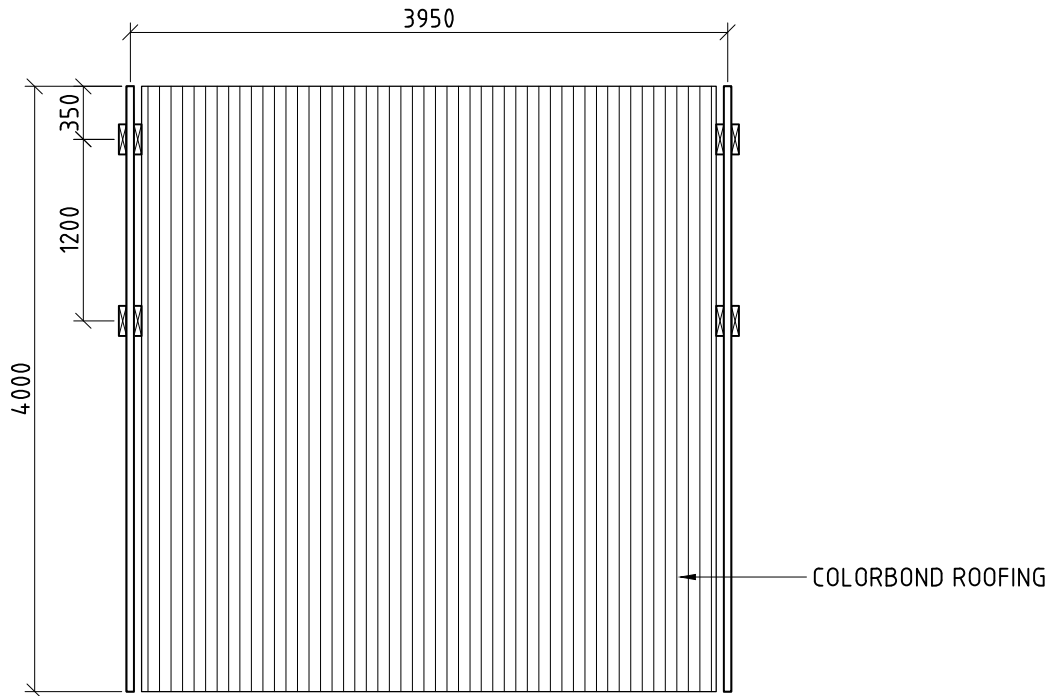
Specifications

Seat Height	450mm
Back Height	794mm
Width	577mm
Length	1800mm
Mounting Options	Bolt Down

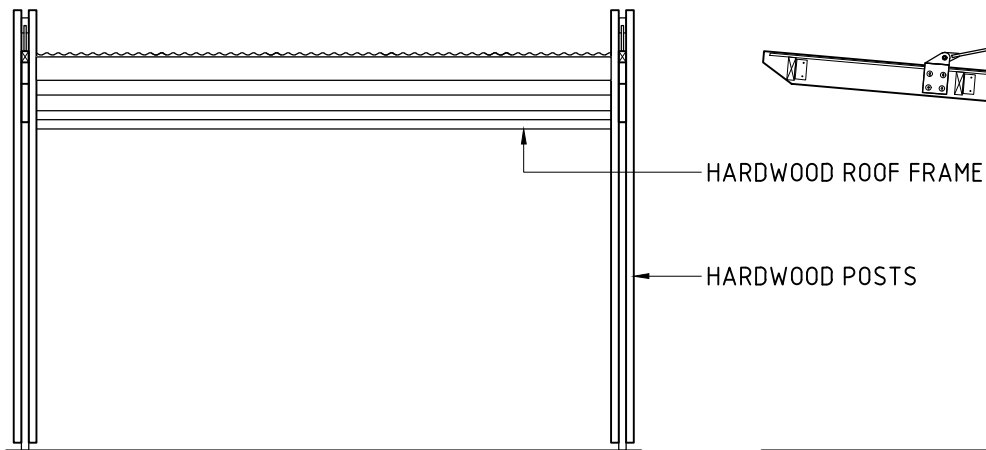
Options

Batten Options	40x30mm Timber, 40x30mm Enviroslat: Walnut, 40x30 Enviroslat: Chocolate
Frame Options	Galvanised, Powder Coated, Weathering Steel

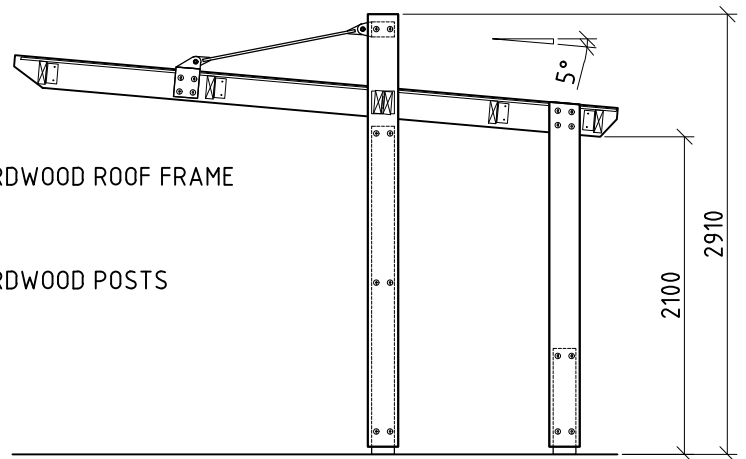
38 - LONGREACH SHELTER - LANDMARK



PLAN
SCALE (1:50)



FRONT ELEVATION
SCALE (1:50)



END ELEVATION
SCALE (1:50)

39 - HOBART TABLE SETTING - DRAFFIN

Product

Hobart Table Setting
88794 (Bench) 88796 (Table)-1

Description

The Hobart range of street and park furniture was designed specifically to meet our customers desire for a cohesive suite of furniture that is extremely heavy duty, yet has a modern urban feel. This low maintenance suite will give you years of hassle free service, making it a perfect fit for areas like national parks and country towns.



Specifications

Table Length	2000mm
Table Width	745mm
Table Height	800mm
Bench Length	1500mm
Bench Width	520mm
Bench Height	450mm
Mounting Options	Bolt Down

Options

Batten Options	40x30mm Timber, 40x30mm Enviroslat: Walnut, 40x30 Enviroslat: Chocolate
Frame Options	Galvanised, Powder Coated, Weathering Steel

40 - SOLID TIMBER SETTING - TO REPLACE EXISTING



DIMENSIONS

Length: 1800mm | Width: 1260mm | Height: 720mm

MATERIALS

Australian Hardwood Timber Battens (Class 1)

FINISHES

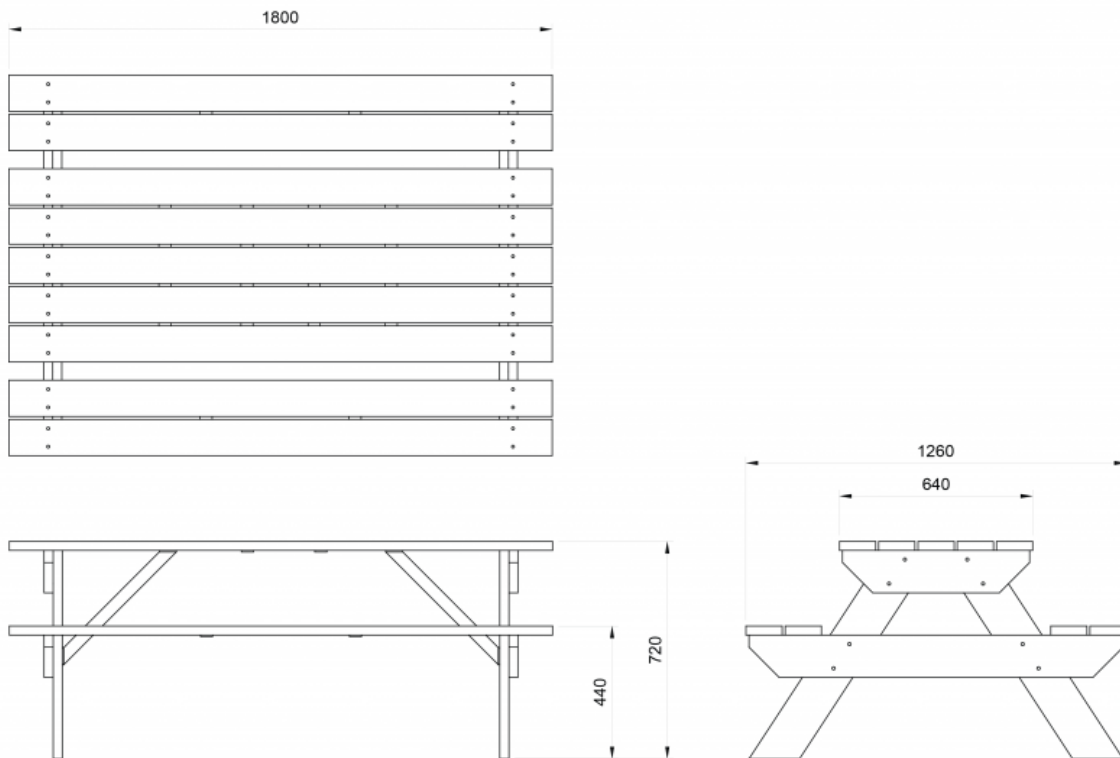
Quantum gold oil

FIXINGS

Freestanding

OTHER OPTIONS

Custom modifications available



COASTAL PALETTE

41 - SARAH BENCH - BOTTON AND GARDINER



Sarah Bench

Designed by Metalco.

The Sarah Bench is a monolithic Metalco "bridge" made entirely of granite or reconstituted marble stone.

Product Details

Fixing	Free standing
Length	2200mm
Seat	Granite or marble stone mix
Made in	Italy
Lead time	12-14wks

Standard Product Code

SARA.2200 Sarah bench

42 - VERSA BENCH - STREET AND GARDEN



Designed By - Forrest Gillham & Charles Wentworth, 2018

Pattern Options

- Custom Patterns Available

Installation

- 4 x M10 masonry anchors with Security nuts (by others)

Warranty and Care

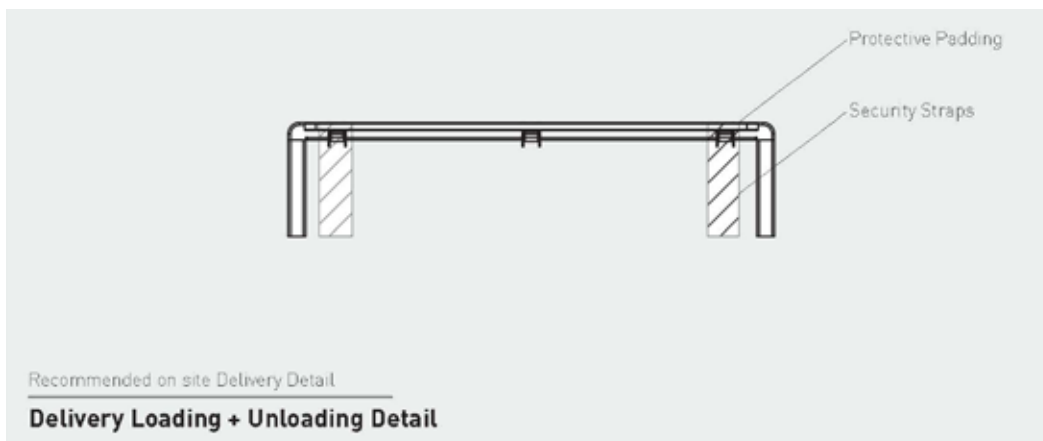
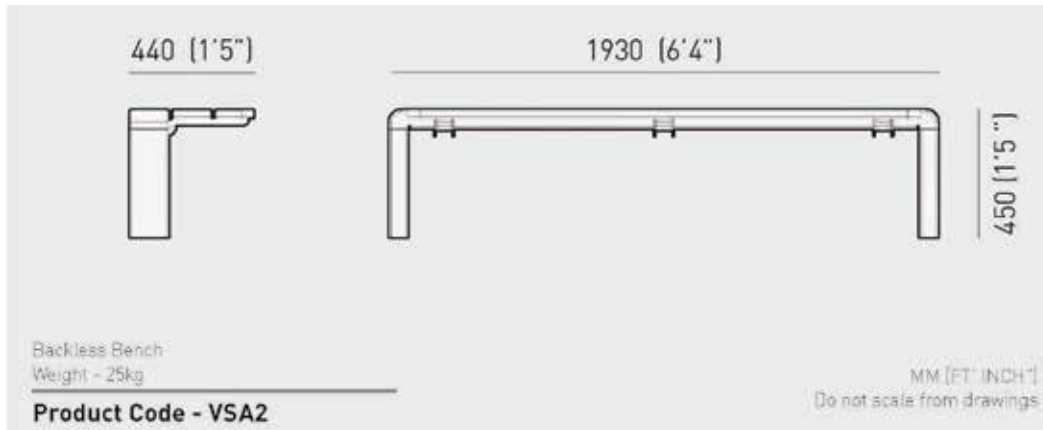
See Warranty and Care Document for further information on specific details

- 12 Month Finish Warranty
- 5 Year Structural Warranty

Designed and Manufactured in Australia.

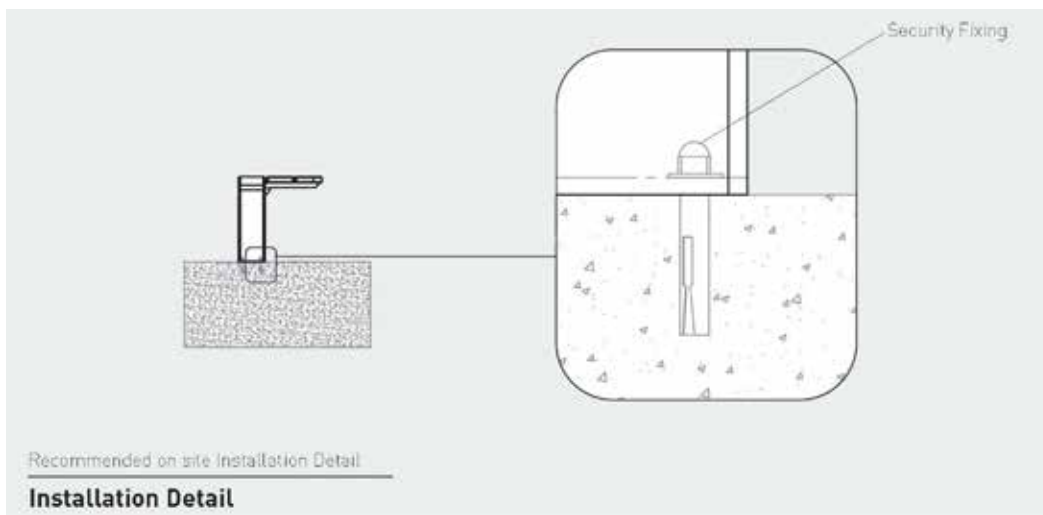
www.streetandgarden.com

		Frame Material		Slat Material			
		Aluminium		Southern Spotted	Composite Timber	Aluminium	HDPE
Primary Finish	<input checked="" type="radio"/> Recommended Material/Finish	<input checked="" type="radio"/>	<input type="radio"/>	<input type="radio"/>	<input type="radio"/>	<input type="radio"/>	<input type="radio"/>
	<input type="radio"/> Optional Material/Finish	<input type="radio"/>	<input type="radio"/>	<input checked="" type="radio"/>	<input checked="" type="radio"/>	<input type="radio"/>	<input type="radio"/>
	Powder Coated	<input checked="" type="radio"/>	<input type="radio"/>	<input type="radio"/>	<input type="radio"/>	<input type="radio"/>	<input type="radio"/>
	Oiled	<input type="radio"/>	<input type="radio"/>	<input checked="" type="radio"/>	<input type="radio"/>	<input type="radio"/>	<input type="radio"/>
	No Finish	<input type="radio"/>	<input type="radio"/>	<input type="radio"/>	<input type="radio"/>	<input type="radio"/>	<input checked="" type="radio"/>
	-	<input type="radio"/>	<input type="radio"/>	<input type="radio"/>	<input type="radio"/>	<input type="radio"/>	<input type="radio"/>
	-	<input type="radio"/>	<input type="radio"/>	<input type="radio"/>	<input type="radio"/>	<input type="radio"/>	<input type="radio"/>
	-	<input type="radio"/>	<input type="radio"/>	<input type="radio"/>	<input type="radio"/>	<input type="radio"/>	<input type="radio"/>
Secondary	Anti-Graffiti	<input type="radio"/>	<input type="radio"/>	<input type="radio"/>	<input type="radio"/>	<input type="radio"/>	<input type="radio"/>
	-	<input type="radio"/>	<input type="radio"/>	<input type="radio"/>	<input type="radio"/>	<input type="radio"/>	<input type="radio"/>
	-	<input type="radio"/>	<input type="radio"/>	<input type="radio"/>	<input type="radio"/>	<input type="radio"/>	<input type="radio"/>
	-	<input type="radio"/>	<input type="radio"/>	<input type="radio"/>	<input type="radio"/>	<input type="radio"/>	<input type="radio"/>



Delivery Loading + Unloading Detail

- All Versa products are supplied loose and freestanding, or on skids/pallets if required
- Product is secured with appropriate padding for protection during transit
- Versa products can be unloaded manually (Recommend 2 person lifting per product)



Installation Detail

- Use Versa Backless Bench to mark and drill fixing locations
- Use Security Fixings (Supplied by Others) to fix Versa Backless Bench into Slab

43 - URBANIA BOLLARD - COMMERCIAL SYSTEMS AUSTRALIA



DIMENSIONS

Width: 150mm | Depth: 100mm | Height: 1000mm

MATERIALS

Frame: Mild steel | 304 Stainless Steel | 316 Stainless Steel
Battens: Australian Hardwood Timber (Class 1) | Enviroslat Battens

FINISHES

Frame: Powdercoated | Galvanised | Satin polished

Note: Any standard Dulux colour available for powdercoated frames. [Click here for Dulux Powdercoating Chart.](#)

Eternity, Zeus and Intensity ranges incur additional charges

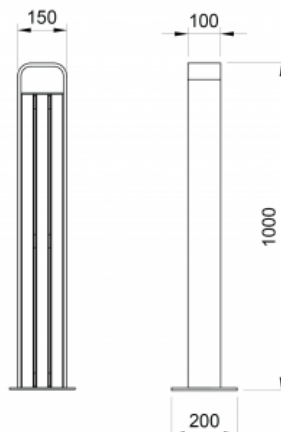
Battens: Quantum Gold oil | Enviroslat woodgrain

FIXINGS

Bolt down fixing | Extended leg | Removable In-Ground Sleeve | Hinged/Fold down

OTHER OPTIONS

Custom modifications available



44 - VERSA TABLE - STREET AND GARDEN



Designed By - Forrest Gillham & Charles
Wentworth, 2018

Pattern Options

- Custom Patterns Available

Installation

- 4 x M10 masonry anchors with Security nuts (by others)

Warranty and Care

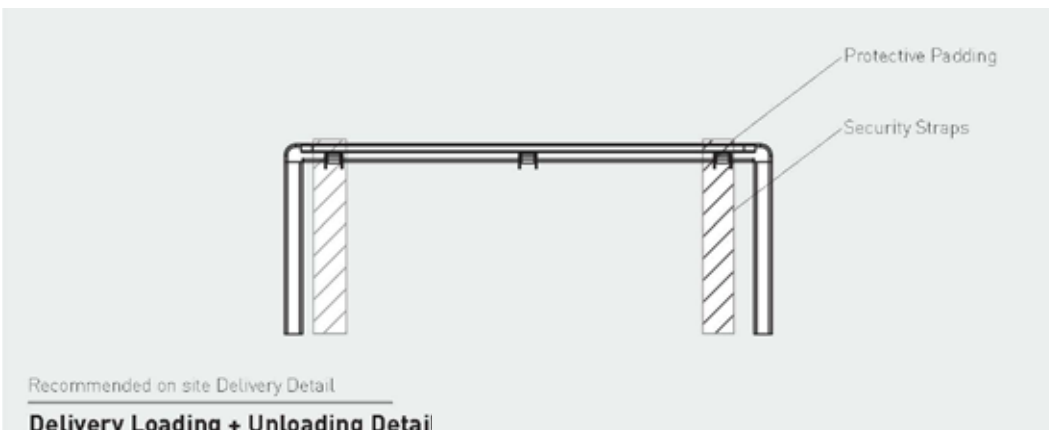
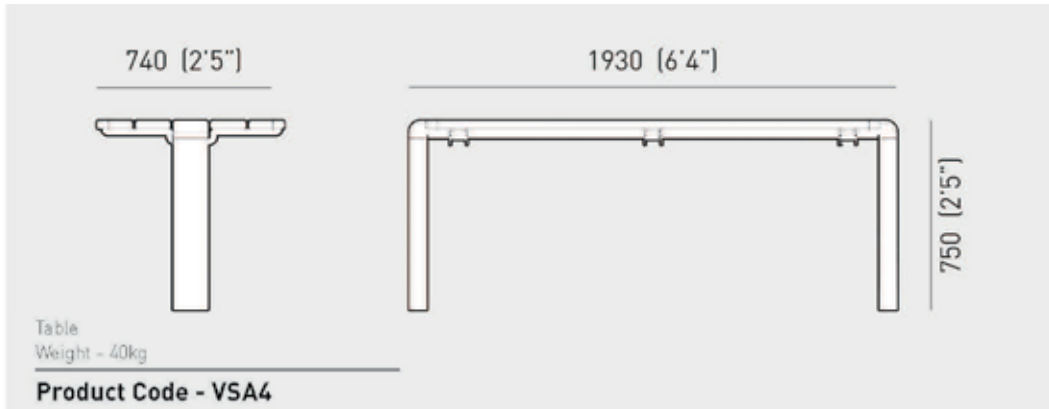
See Warranty and Care Document for further information on specific details

- 12 Month Finish Warranty
- 5 Year Structural Warranty

Designed and Manufactured in Australia.

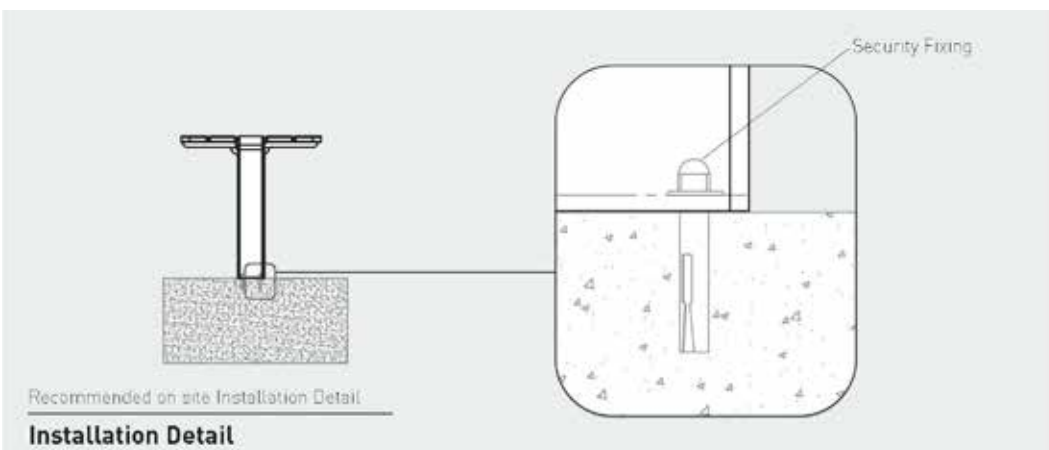
www.streetandgarden.com

		Frame Material		Slat Material			
		Aluminium		Southern Spotted	Composite Timber	Aluminium	HDPE
Primary Finish	Recommended Material/Finish	<input checked="" type="radio"/>	<input type="radio"/>	<input type="radio"/>	<input type="radio"/>	<input type="radio"/>	<input type="radio"/>
	Optional Material/Finish	<input type="radio"/>	<input type="radio"/>	<input checked="" type="radio"/>	<input checked="" type="radio"/>	<input type="radio"/>	<input type="radio"/>
	Powder Coated	<input checked="" type="radio"/>	<input type="radio"/>	<input type="radio"/>	<input type="radio"/>	<input checked="" type="radio"/>	<input type="radio"/>
	Oiled	<input type="radio"/>	<input type="radio"/>	<input checked="" type="radio"/>	<input checked="" type="radio"/>	<input type="radio"/>	<input type="radio"/>
	No Finish	<input type="radio"/>	<input type="radio"/>	<input type="radio"/>	<input type="radio"/>	<input type="radio"/>	<input checked="" type="radio"/>
		<input type="radio"/>	<input type="radio"/>	<input type="radio"/>	<input type="radio"/>	<input type="radio"/>	<input type="radio"/>
		<input type="radio"/>	<input type="radio"/>	<input type="radio"/>	<input type="radio"/>	<input type="radio"/>	<input type="radio"/>
		<input type="radio"/>	<input type="radio"/>	<input type="radio"/>	<input type="radio"/>	<input type="radio"/>	<input type="radio"/>
Secondary	Anti-Graffiti	<input type="radio"/>	<input type="radio"/>	<input type="radio"/>	<input type="radio"/>	<input checked="" type="radio"/>	<input type="radio"/>
		<input type="radio"/>	<input type="radio"/>	<input type="radio"/>	<input type="radio"/>	<input type="radio"/>	<input type="radio"/>
		<input type="radio"/>	<input type="radio"/>	<input type="radio"/>	<input type="radio"/>	<input type="radio"/>	<input type="radio"/>
		<input type="radio"/>	<input type="radio"/>	<input type="radio"/>	<input type="radio"/>	<input type="radio"/>	<input type="radio"/>
		<input type="radio"/>	<input type="radio"/>	<input type="radio"/>	<input type="radio"/>	<input type="radio"/>	<input type="radio"/>



Delivery Loading + Unloading Detail

- ✓ All versa products are supplied loose and freestanding, or on skids/pallets if required
- Product is secured with appropriate padding for protection during transit
- Versa product can be unloaded manually or using a forklift (Recommend 2 person lifting per product)



Installation Detail

- Use Versa Table to mark and drill fixing locations
- Use Security Fixings (Supplied by Others) to fix Versa Table into Slab

45 - DDA SETTING - COMMERCIAL SYSTEMS AUSTRALIA



Wheelchair Accessible



DDA

DIMENSIONS

Length: 1800mm | Width: 450mm |
Height: 530mm

The TM4722 DDA Table which meets Australian Standard DDA requirements as listed in AS1428.2. The TM4721 DDA Benches are designed to pair with table.

The TM4721 DDA Bench can be viewed [here](#).

MATERIALS

Frame: Mild steel | 304 Stainless Steel
Battens: Australian Hardwood Timber (Class 1) | Enviroslat Recycled Battens in Walnut or Slate Grey

FINISHES

Frame: Powdercoated | Galvanised |
Satin polished
Battens: Quantum Gold oil | Enviroslat

Note: Any standard Dulux colour available for powdercoated frames. [Click here for Dulux Powdercoating Chart](#).

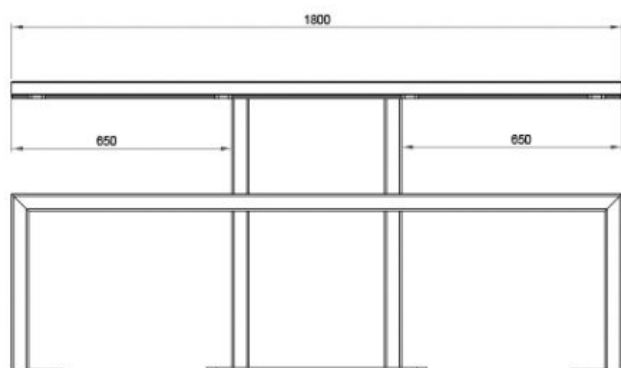
Eternity, Zeus and Intensity ranges incur additional charges

FIXINGS

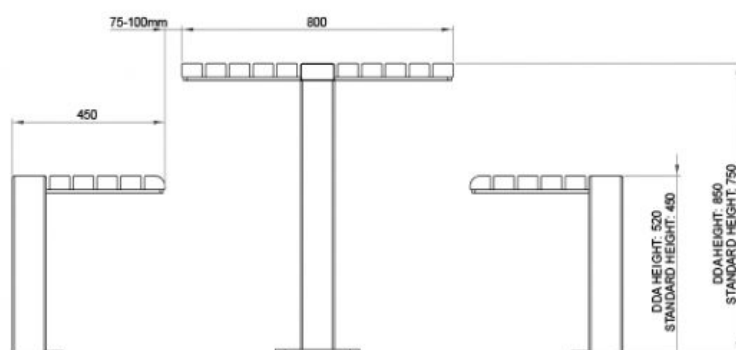
Bolt down fixing | Extended leg

OTHER OPTIONS

Custom lengths available.



FRONT VIEW



END VIEW

46 - ARIA SEAT - STREET FURNITURE AUSTRALIA

A contemporary furniture system. Modern and modular, make Aria work for your space. Relax while charging your mobile or laptop.

MCODE:
CMA1

DIMENSIONS:
535mm W x 790mm H x various lengths
21 1/16" W x 31 1/8" H x various lengths

Select one box per category to specify your product.

LEGS AND MOUNTING:

Legs may require basic assembly on-site.

- 12 Aria Splay
 - Surface Fixed
 - Subsurface Fixed
 - Freestanding
- 13 Aria Pedestal
 - Surface Fixed
 - Subsurface Fixed

FRAME AND PANEL COLOUR:

- Sable Brilliance (medium grey)
- Sable Bass (dark grey)
- Sable Core Ten
- Textura
 - Ironstone
 - Deep Ocean
 - Jasper
 - Woodland Grey
 - Dark Bronze
 - Monument
 - Night Sky (black)
- Other (see colour chart)

BATTEN:

Street Furniture Australia uses sustainable timber from certified managed forests. Timber requires oiling every three months.

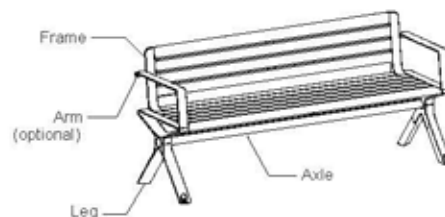
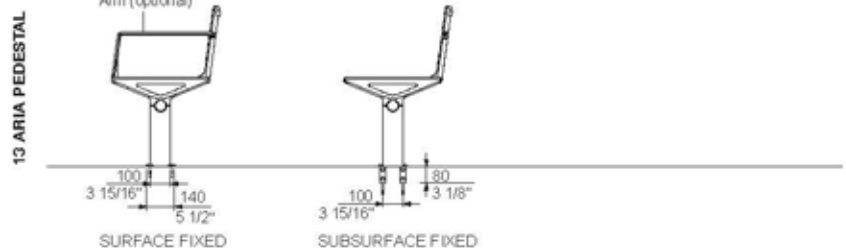
- Eco-certified Jarrah Hardwood, Oiled (PEFC)
- Aluminium Anodised
- Aluminium Powder Coated (see colour chart)
- Woodgrain
 - Bush Cherry
 - Spotted Gum
 - Beach Oak (Grey)
- Tailored

ARMS:

This seat is DDA-friendly when specified with arms.

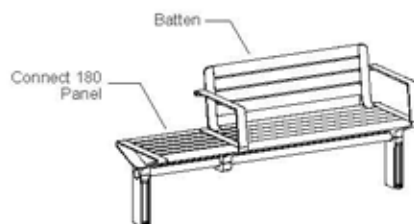
- None
- 2 end arms, in same finish as frame
- Tailored

Some options incur additional fees and lead time.



STANDARD

3-seater with Splay legs and arms
3S



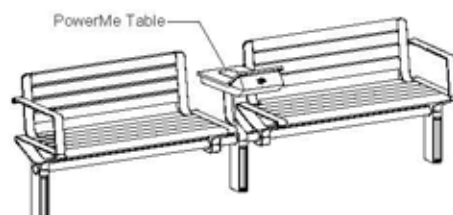
CONNECT 180 (Seat/Bench Combo)

2-seater, Connect 180, with Pedestal legs and arms
2S-C180



CONNECT 180 (Seat/Bench Combo)

2-seater, Connect 180, 2-seater bench with Pedestal legs and arms
2S-C180-2B



POWERME TABLE

2 x 2-seater, PowerMe™ centred, with Pedestal legs and arms
2S-PM-2S

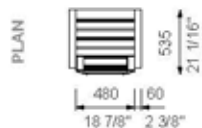
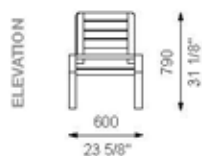
PRE-CONFIGURATIONS:

Lengths that exceed 2100mm or 82 1/4" will be delivered in parts for assembly on-site.

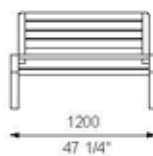
- | | | |
|--------------|--------------------------------|--------------------------|
| 1 : 1-seater | C190 : Connect with 180° Panel | S : Seat (with backrest) |
| 2 : 2-seater | C45 : Connect with 45° Panel | B : Bench (no backrest) |
| 3 : 3-seater | C90 : Connect with 90° Panel | R : Reversed |
| | | PM: PowerMe™ Table |

Standard

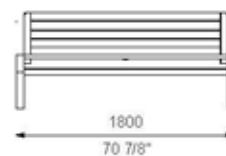
□ 1S



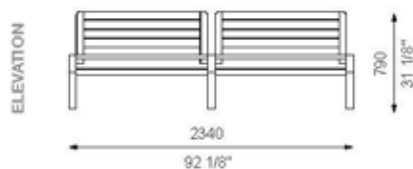
□ 2S



□ 3S

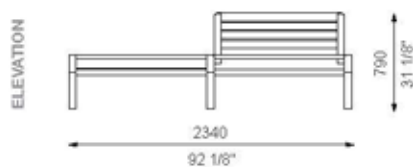


□ 2S-2S

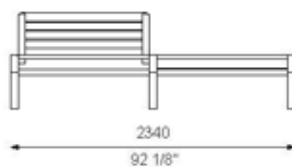


Standard (Seat and Bench Combo)

□ 2B-2S



□ 2S-2B



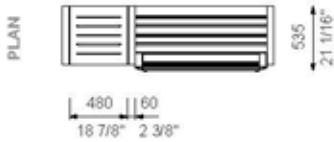
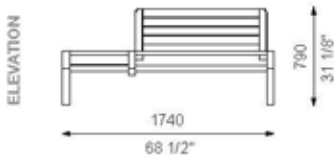
PRE-CONFIGURATIONS:

Lengths that exceed 2100mm or 82 1/4" will be delivered in parts for assembly on-site.

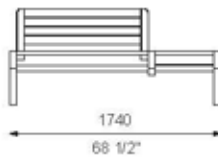
- | | | |
|--------------|--------------------------------|--------------------------|
| 1 : 1-seater | C180 : Connect with 180° Panel | S : Seat (with backrest) |
| 2 : 2-seater | C45 : Connect with 45° Panel | B : Bench (no backrest) |
| 3 : 3-seater | C90 : Connect with 90° Panel | R : Reversed |
| | | PM: PowerMe™ Table |

Connect 180

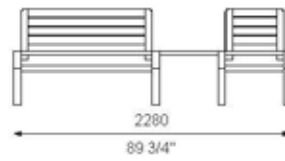
□ C180-2S



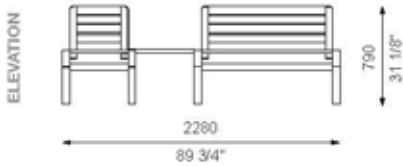
□ 2S-C180



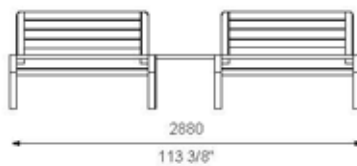
□ 2S-C180-1S



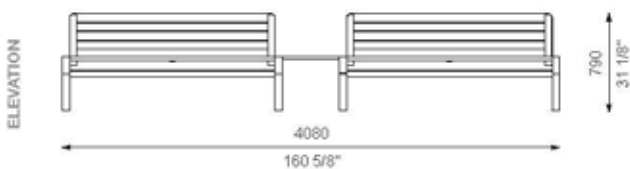
□ 1S-C180-2S



□ 2S-C180-2S



□ 3S-C180-3S



PRE-CONFIGURATIONS:

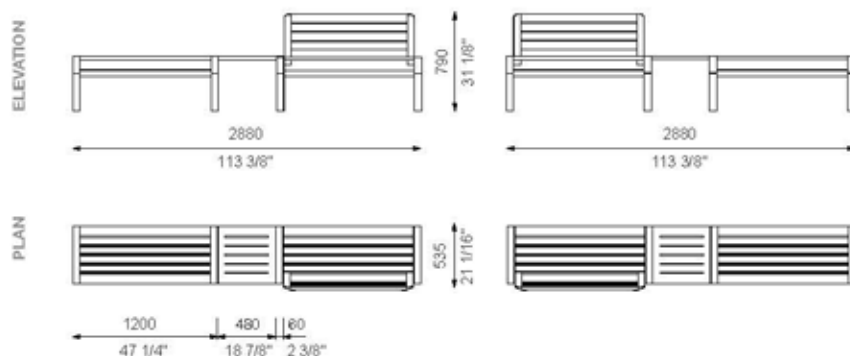
Lengths that exceed 2100mm or 82 1/4" will be delivered in parts for assembly on-site.

- | | | |
|--------------|--------------------------------|--------------------------|
| 1 : 1-seater | C180 : Connect with 180° Panel | S : Seat (with backrest) |
| 2 : 2-seater | C45 : Connect with 45° Panel | B : Bench (no backrest) |
| 3 : 3-seater | C90 : Connect with 90° Panel | R : Reversed |
| | | PM: PowerMe™ Table |

Connect 180 (Seat and Bench Combo)

□ 2B-C180-2S

□ 2S-C180-2B

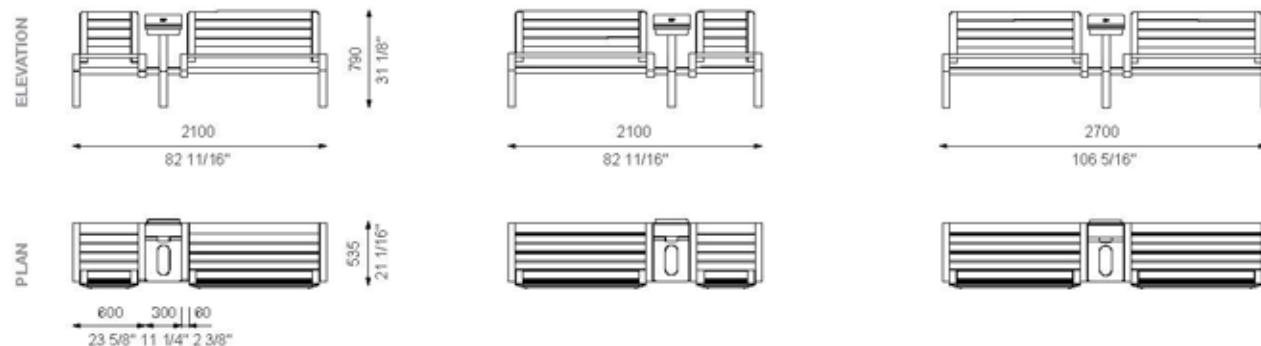


PowerMe™ Table also see *PowerMe Table technical sheet*

□ 1S-PM-2S

□ 2S-PM-1S

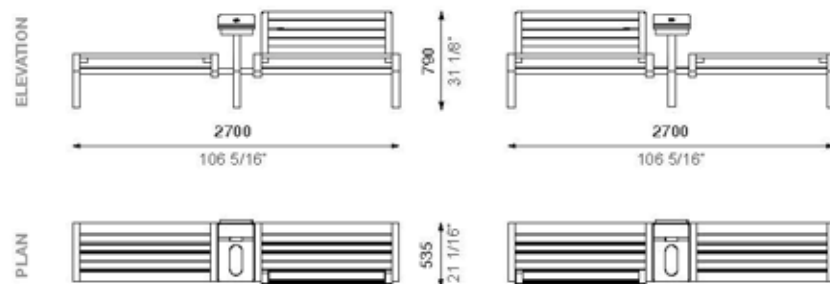
□ 2S-PM-2S



PowerMe™ Table (Seat and Bench Combo) also see *PowerMe Table technical sheet*

□ 2B-PM-2S

□ 2S-PM-2B



Need more information?

For a brochure, image gallery, CAD downloads, installation and maintenance guides, go to: streetfurniture.com/au/product/aria-seat/

Quick links:

- streetfurniture.com/au/colour-chart/
- streetfurniture.com/au/warranty/
- streetfurniture.com/au/parts-promise/

47 - VERSA BACKED BENCH - STREET AND GARDEN



Designed By - Forrest Gillham & Charles Wentworth, 2018

Pattern Options

- Custom Patterns Available

Accessories

- Armrests

Warranty and Care

See Warranty and Care Document for further information on specific details

- 12 Month Finish Warranty
- 5 Year Structural Warranty

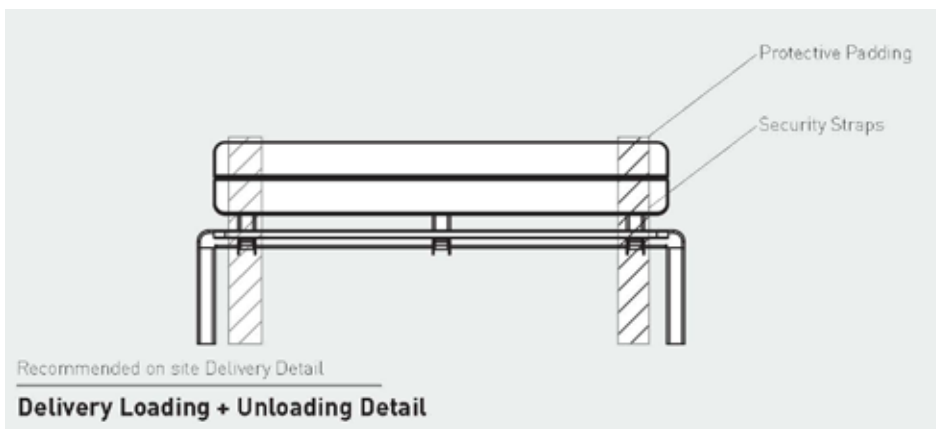
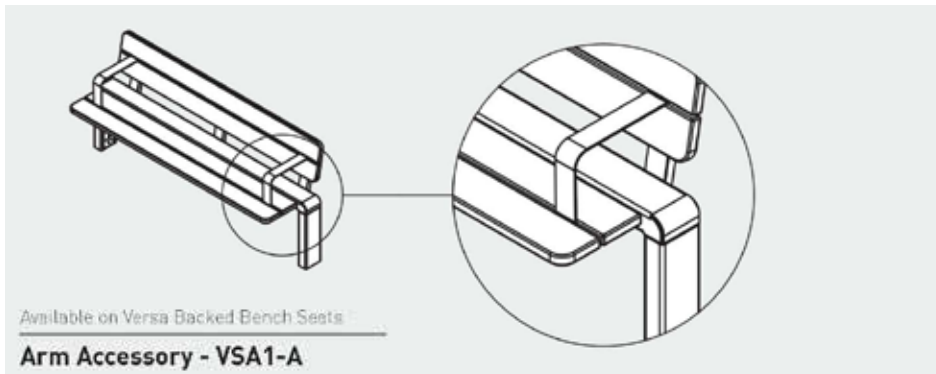
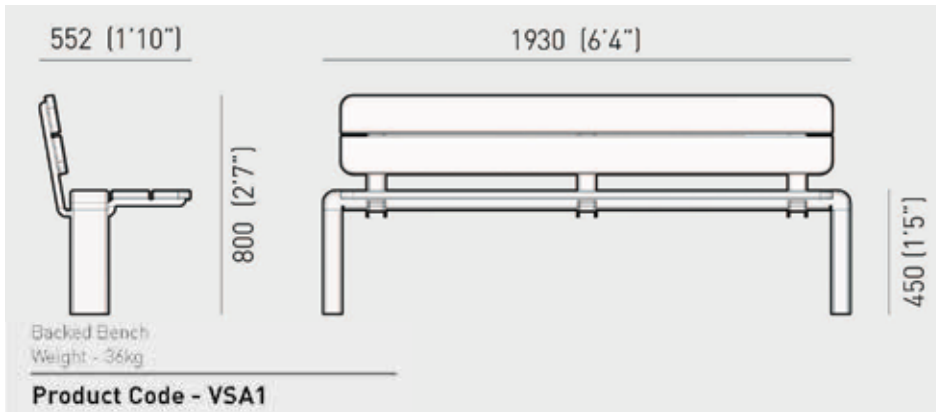
Installation

- 4 x M10 masonry anchors with Security nuts (by others)

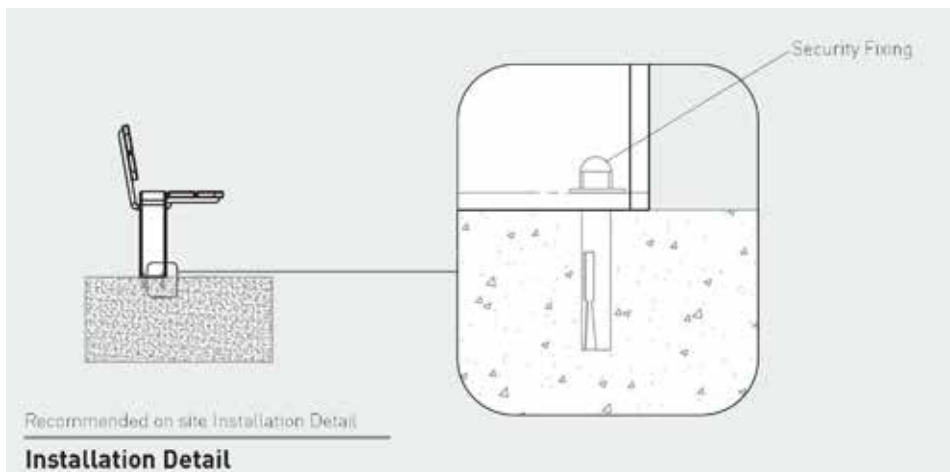
Designed and Manufactured in Australia.

www.streetandgarden.com

		Frame Material		Slat Material				
		Aluminium		Southern Spotted	Composite Timber	Aluminium	HDPE	
Primary Finish	<input checked="" type="radio"/> Recommended Material/Finish <input type="radio"/> Optional Material/Finish	Powder Coated	<input checked="" type="radio"/>	<input type="radio"/>	<input type="radio"/>	<input type="radio"/>	<input type="radio"/>	<input type="radio"/>
	Oiled	<input type="radio"/>	<input type="radio"/>	<input checked="" type="radio"/>	<input type="radio"/>	<input type="radio"/>	<input type="radio"/>	
	No Finish	<input type="radio"/>	<input type="radio"/>	<input type="radio"/>	<input type="radio"/>	<input type="radio"/>	<input checked="" type="radio"/>	
	<input type="radio"/>	<input type="radio"/>	<input type="radio"/>	<input type="radio"/>	<input type="radio"/>	<input type="radio"/>	<input type="radio"/>	
	<input type="radio"/>	<input type="radio"/>	<input type="radio"/>	<input type="radio"/>	<input type="radio"/>	<input type="radio"/>	<input type="radio"/>	
	<input type="radio"/>	<input type="radio"/>	<input type="radio"/>	<input type="radio"/>	<input type="radio"/>	<input type="radio"/>	<input type="radio"/>	
	<input type="radio"/>	<input type="radio"/>	<input type="radio"/>	<input type="radio"/>	<input type="radio"/>	<input type="radio"/>	<input type="radio"/>	
	<input type="radio"/>	<input type="radio"/>	<input type="radio"/>	<input type="radio"/>	<input type="radio"/>	<input type="radio"/>	<input type="radio"/>	
Secondary	Protective Coat	<input type="radio"/>	<input type="radio"/>	<input type="radio"/>	<input type="radio"/>	<input checked="" type="radio"/>	<input type="radio"/>	
	<input type="radio"/>	<input type="radio"/>	<input type="radio"/>	<input type="radio"/>	<input type="radio"/>	<input type="radio"/>	<input type="radio"/>	
	<input type="radio"/>	<input type="radio"/>	<input type="radio"/>	<input type="radio"/>	<input type="radio"/>	<input type="radio"/>	<input type="radio"/>	
	<input type="radio"/>	<input type="radio"/>	<input type="radio"/>	<input type="radio"/>	<input type="radio"/>	<input type="radio"/>	<input type="radio"/>	

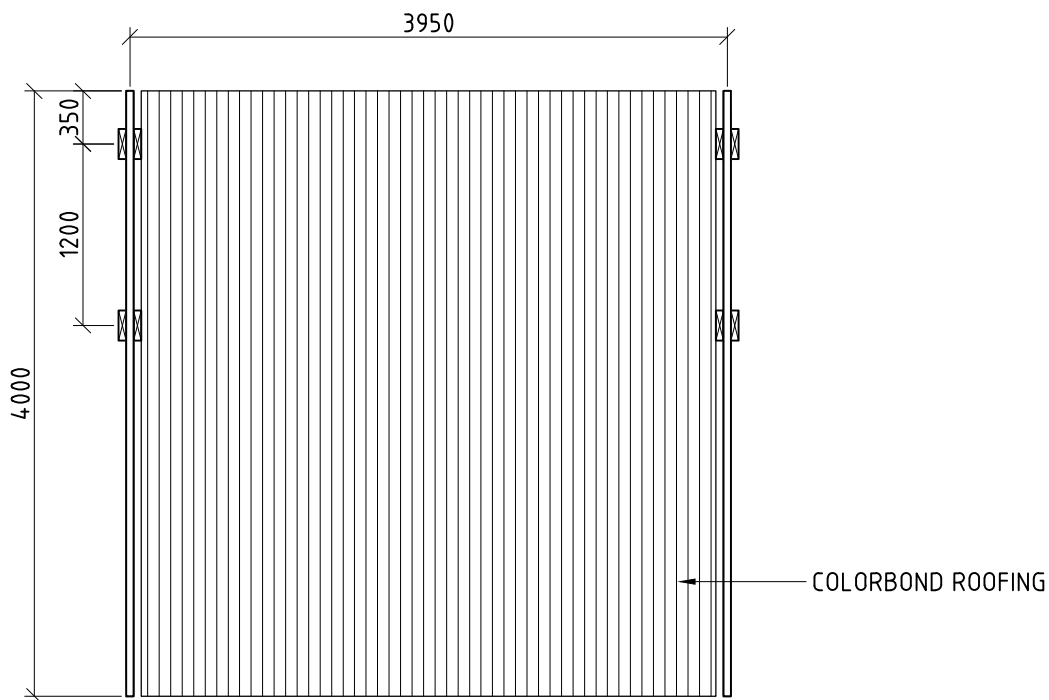


- All Versa products are supplied loose and freestanding, or on skids/pallets if required
- Product is secured with appropriate padding for protection during transit
- Versa products can be unloaded manually (Recommend 2 person lifting per product)

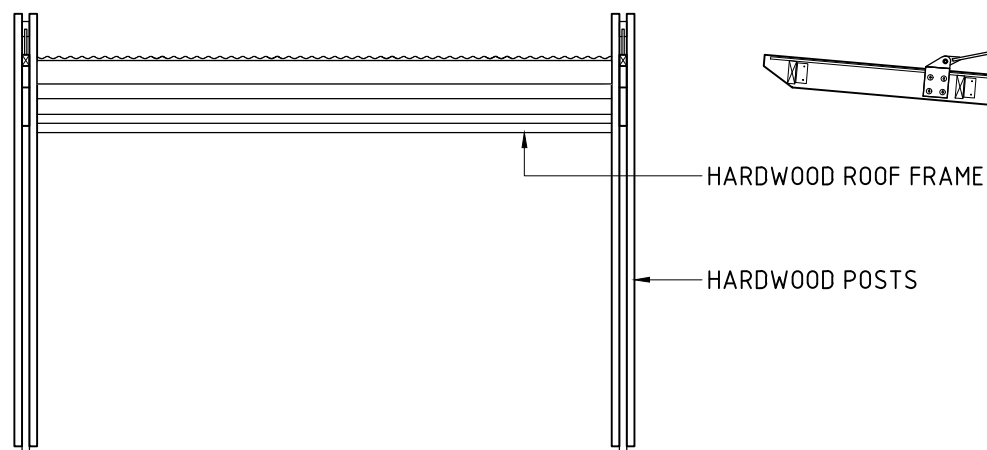


- Use Versa Backed Bench to mark and drill fixing locations
- Use Security Fixings (Supplied by Others) to fix Versa Backed Bench into Slab

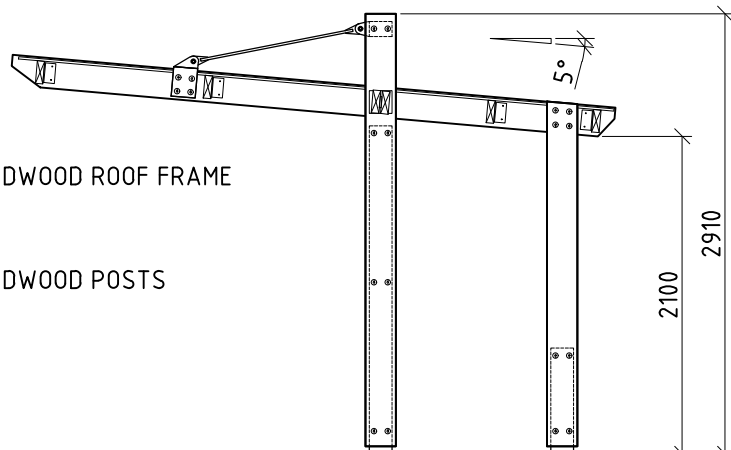
48 - LONGREACH SHELTER - LANDMARK



PLAN
SCALE (1:50)



FRONT ELEVATION
SCALE (1:50)



END ELEVATION
SCALE (1:50)



